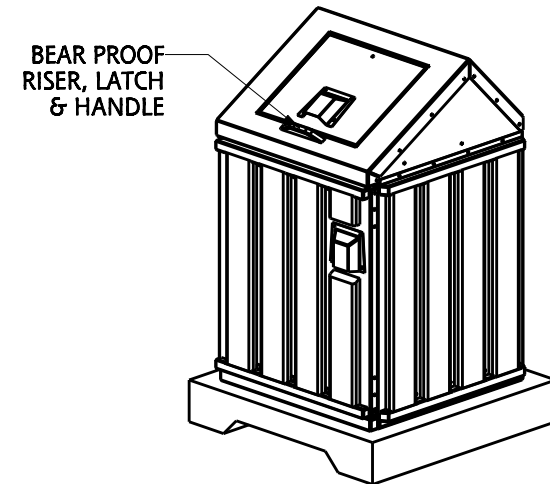
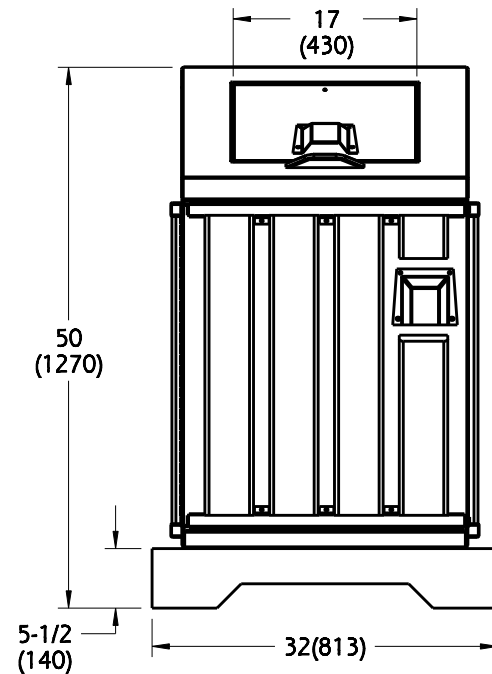
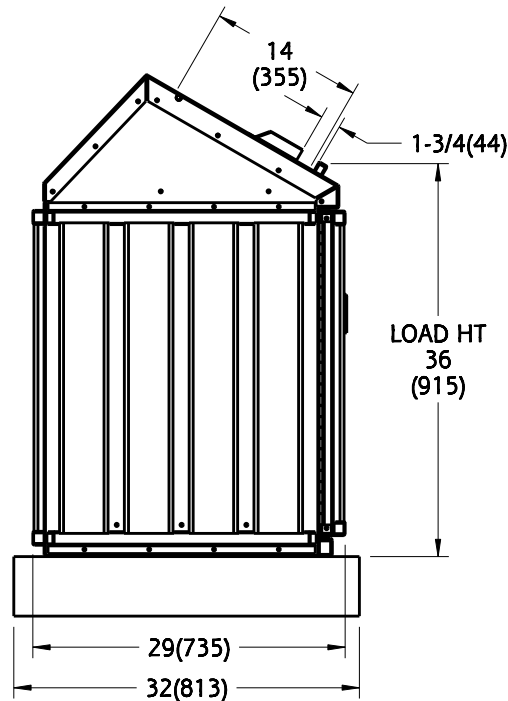
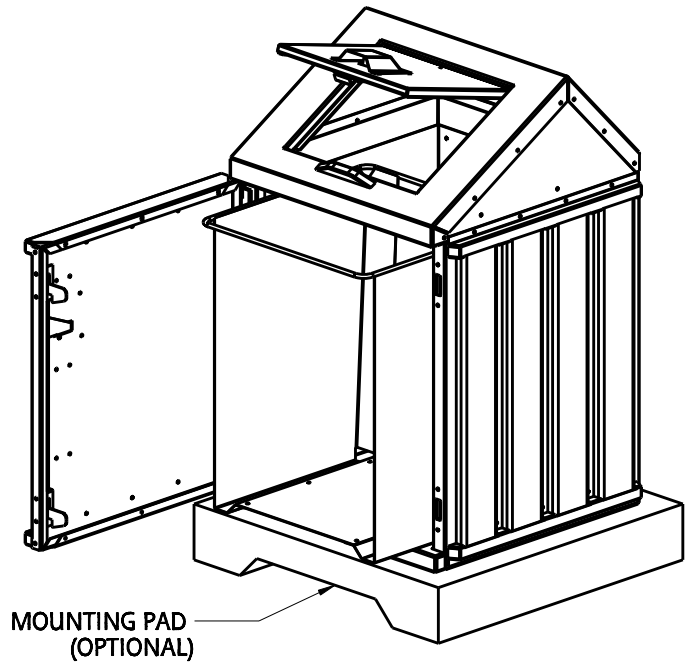


FEATURE	DESCRIPTION	SPECIFICATION
Capacity	Pull Out Bag Cage	8-1/4 cu.ft. 70 US Gallons (265L)
	Poly Bag	2.5 mil 42 x 50 (1070 x 1270)
Construction	Housing	14 Ga. (1.9) Galvanneal Steel
	Floor	12 Ga. (2.6) Galvanneal Steel
	User Door	14 Ga. (1.9) Galvanneal Steel
	Side Hinged Unloading Door	12 Ga. (2.6) Galvanneal Steel
	Hinges and Latches	Stainless Steel
	Paint	Powder Coat
	Siding	Recycled Plastic
Weights	Discovery Container	195lbs (88kg)
	Discovery Container with Siding Kit	290lbs (132kg)
	(Optional) Pre-Cast Mounting Pad (UC-3901)	420lbs (190kg) 32x32x5.5 (815x815x140)

ALL SPECIFICATIONS SUBJECT TO CHANGE WITHOUT NOTICE



NOTE: ALL DIMENSIONS INCHES (MILLIMETERS)

TRAILER SIZE	QTY
8-1/2ft x 45ft	54
8-1/2ft x 53ft	66
B-Train 8-1/2 x 28ft & 32ft	72
Double Decker Van 8-1/2ft x 48ft	120

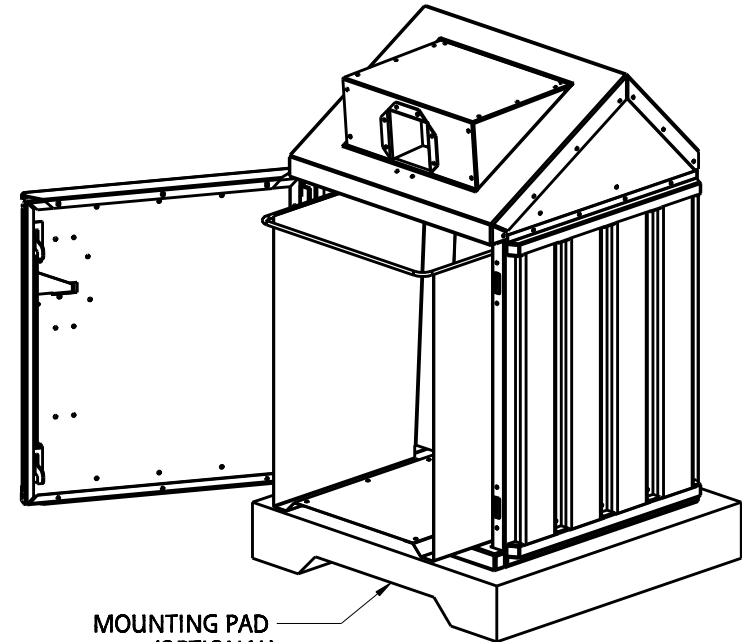
HAUL-ALL EQUIPMENT LTD. reserves proprietary rights on this drawing or any part of the information contained thereon. This drawing shall be considered confidential material and is not to be used for competitive bidding nor for use in any procurements other than from Haul-All Equipment Ltd.



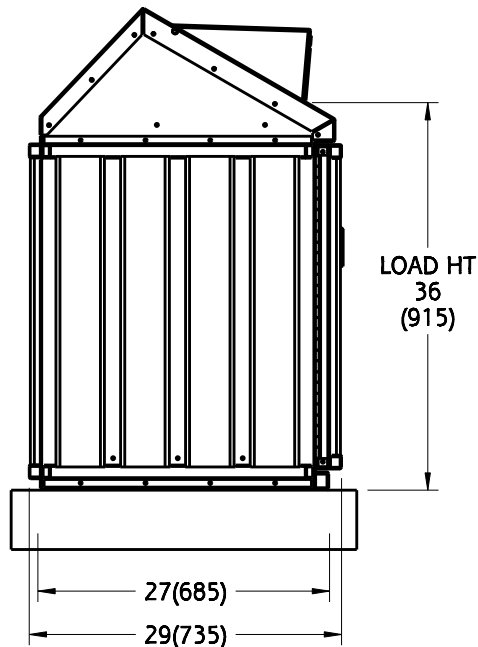
NAME DISCOVERY CONTAINER (BEARPROOF)		
PART NUMBER	SP-UCI-P	DRAWN BY PS
DATE	SEPTEMBER 1, 2016	REVISION 1

FEATURE	DESCRIPTION	SPECIFICATION
Capacity	Pull Out Bag Cage	8-1/4 cu.ft. 70 US Gallons (265L)
	Poly Bag	2.5 mil 42 x 50 (1070 x 1270)
Construction	Housing	14 Ga. (1.9) Galvanneal Steel
	Floor	12 Ga. (2.6) Galvanneal Steel
	Recycle Opening	14 Ga. (1.9) Galvanneal Steel
	Side Hinged Unloading Door	12 Ga. (2.6) Galvanneal Steel
	Hinges and Latches	Stainless Steel
	Paint	Powder Coat
	Siding	Recycled Plastic
Weights	Discovery Container	195lbs (88kg)
	Discovery Container with Siding Kit	290lbs (132kg)
	(Optional) Pre-Cast Mounting Pad (UC-3901)	420lbs (190kg) 32x32x5.5 (815x815x140)

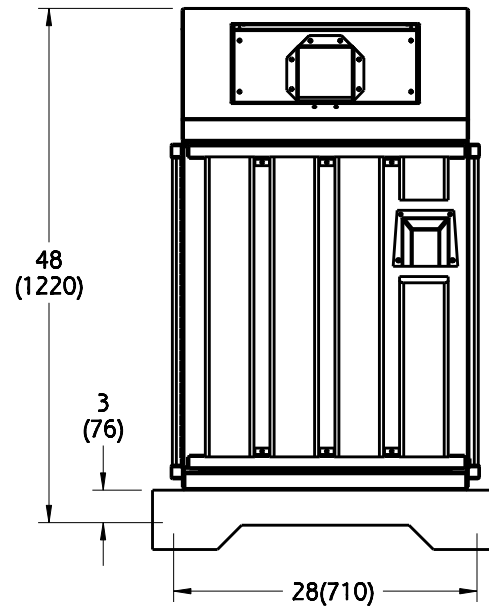
ALL SPECIFICATIONS SUBJECT TO CHANGE WITHOUT NOTICE



MOUNTING PAD (OPTIONAL)



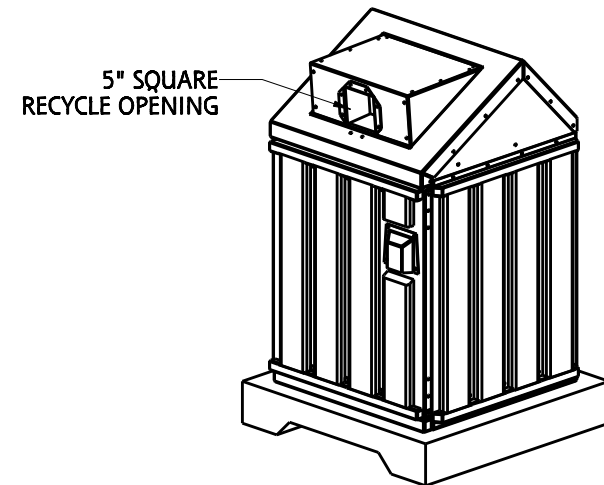
LOAD HT
36
(915)



48
(1220)

3
(76)

28(710)



5" SQUARE
RECYCLE OPENING

NOTE: ALL DIMENSIONS INCHES (MILLIMETERS)

TRAILER SIZE	QTY
8-1/2ft x 45ft	54
8-1/2ft x 53ft	66
B-Train 8-1/2ft x 28ft & 32ft	72
Double Decker Van 8-1/2ft x 48ft	120

HAUL-ALL EQUIPMENT LTD. reserves proprietary rights on this drawing or any part of the information contained thereon. This drawing shall be considered confidential material and is not to be used for competitive bidding nor for use in any procurements other than from Haul-All Equipment Ltd.



NAME DISCOVERY CONTAINER (RECYCLING)		
PART NUMBER	SP-UCI-Y	DRAWN BY PS
DATE	SEPTEMBER 1, 2016	REVISION 1