



# Komar Auger-Pak®

Quality Made  
in the USA



Since 1977

**Heavy-Duty Industrial Wood Pre-Crushing Compactor**

**EM-15W**



EM-15W three sided flare hopper in the yard

- Quickly rids yard and facility of wood waste
- Shreds and compacts in one machine
- Significant volume reduction increases payload weights & lowers transportation cost
- Machine processing is safer for employees
- Eliminates manual sawing or handling
- Handles nails, bolts, hinges, and corner bracing
- Connects to standard receiving container
- Clean quiet electric drive, no hydraulic leaks

## Komar EM-15W Auger-Pak®

The Komar EM-15W Auger-Pak® is an industrial pre-crushing compactor, ideally suited for 42" x 48" pallets, and wooden crates up to 36". Occasional pieces up to 60" in length can be processed, but may require additional handling. The Auger-Pak® features top of the line processing components. Constructed with a solid steel shaft and cast alloy steel flights, the auger screw effortlessly shreds & compacts material directly into a standard 40 cubic yard receiving container. The powerful all-electric cycloidal drive allows for the compaction of high-density payloads, while eliminating hydraulic oil leaks inherent of ram style compactors. In addition, the auger's automatic processing will cut labor cost while making your workplace safer.



Industrial Pallets



Industrial Crates



Shown with Container



Payloads up to 5 tons\*

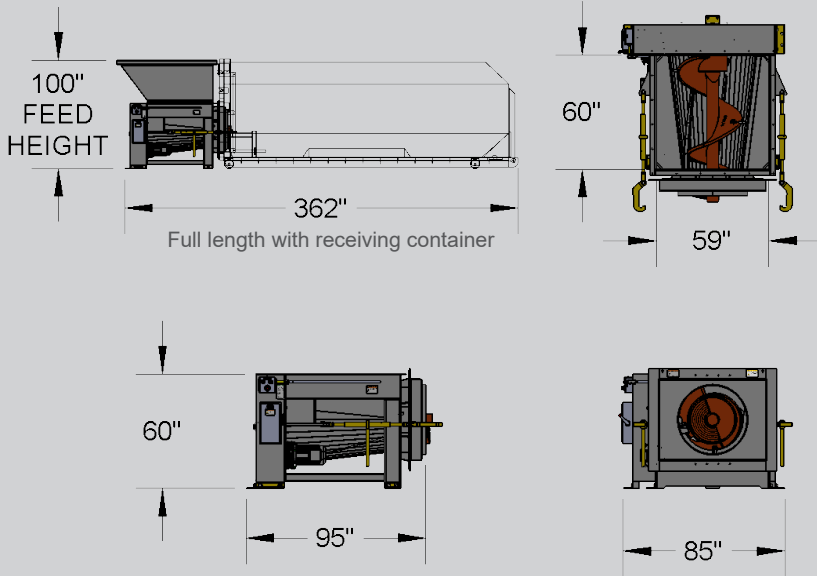
\* Load weights vary depending on material and loading method

Groveport, OH

(614) 836-2366

[www.komarindustries.com](http://www.komarindustries.com)

[info@komarindustries.com](mailto:info@komarindustries.com)



Dimensions and process data for reference only

### Machine Specifications

Horsepower	15
Footprint (L x W x H)	95" x 85" x 60"
Process Chamber (L x W)	60" x 59"
Full System Weight (lbs.)	10,625
RPM / Torque (ft-lbs.)	7.42 / 10,624

### Processing Specifications

Tons per Hour	2
Standard Pallets/Charge	2 - 5
Pallet Size* (L x W)	42" x 48"
Crate Size* (L x W x H)	36" x 36" x 36"
Cable Spool Size* (dia.)	36"

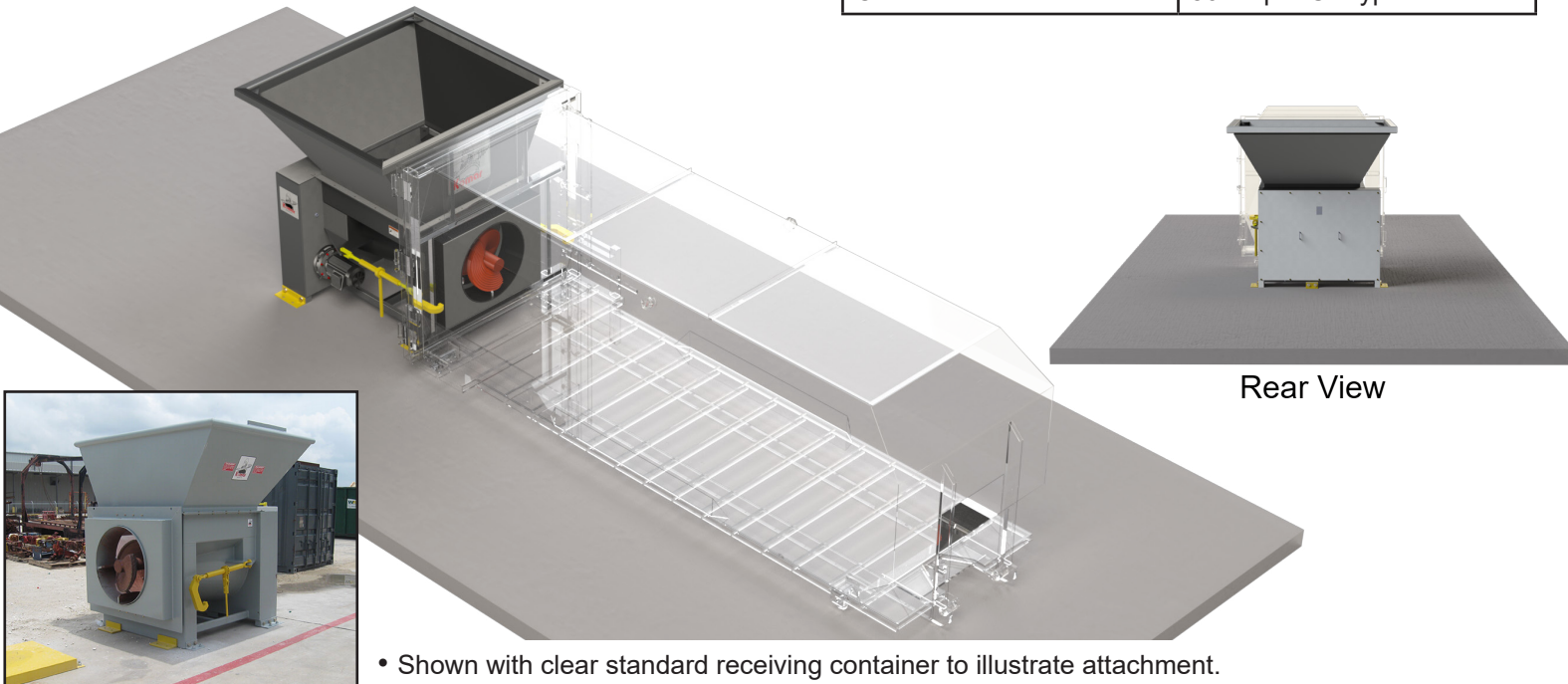
\* Occasional pieces up to 60" in length can be processed but will require special handling.

## INSTALLATIONS TYPES

### Yard

### Installation Requirements

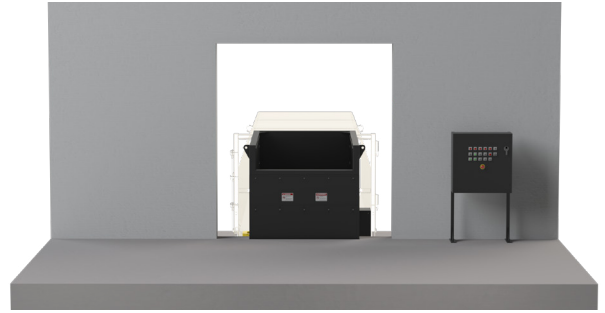
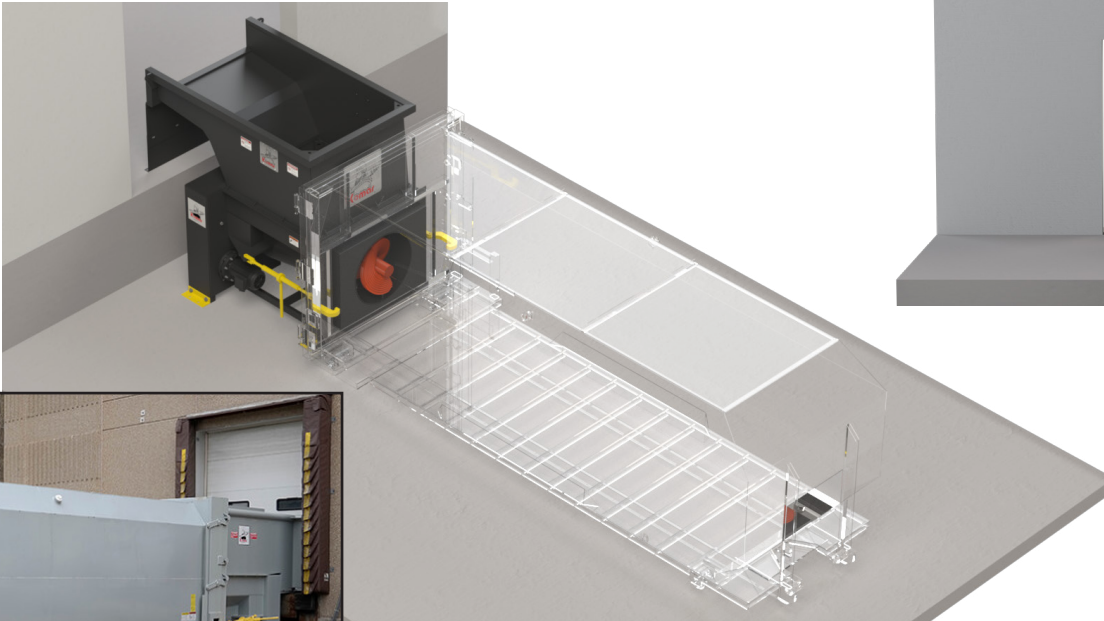
Footprint w/ Concrete Pad	386" x 109"
Power Requirement	480 V, 3 PH, 60 Hz
Overcurrent Protection	50 amp MCP type breaker



• Shown with clear standard receiving container to illustrate attachment.



## Open at Dock

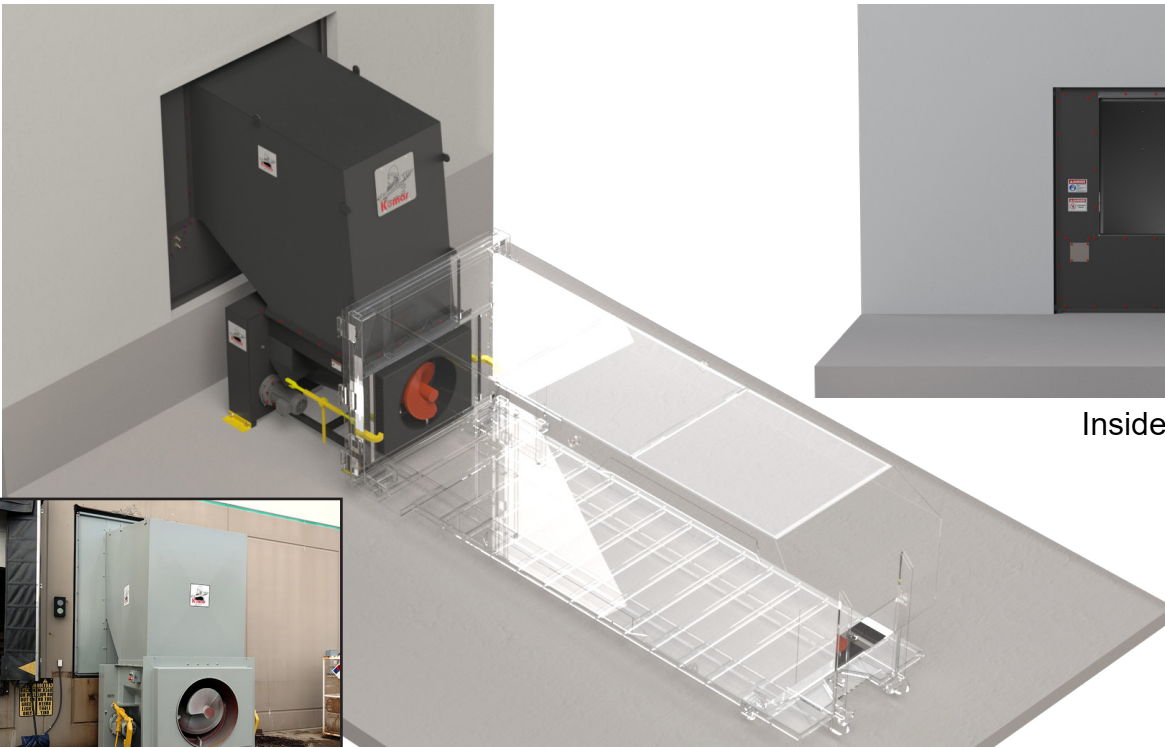


Inside View



- Shown at 9' x 10' Standard Dock Door.
- Shown with clear standard receiving container to illustrate attachment.

## Dock Enclosure



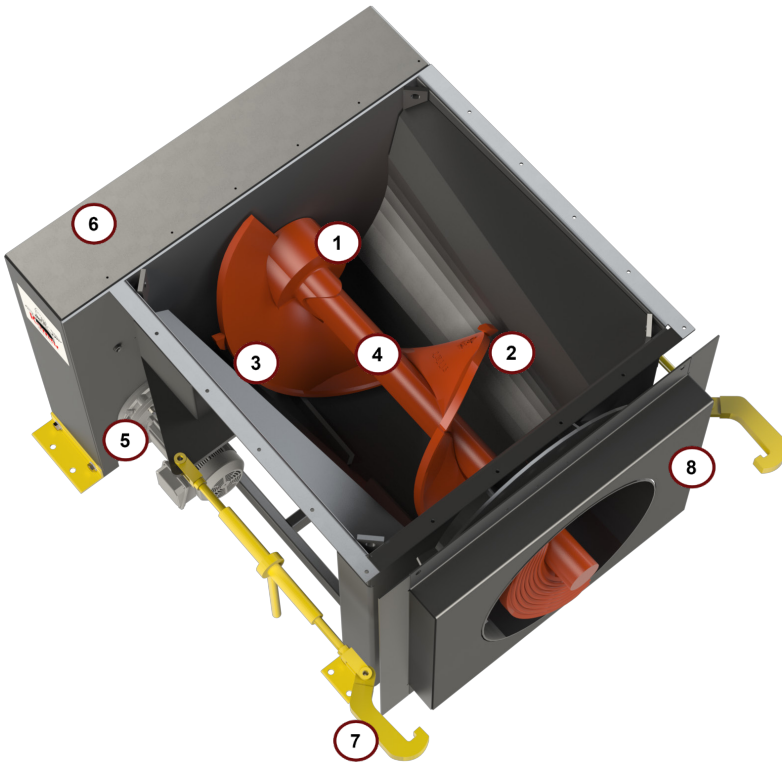
Inside View



- Shown at 9' x 10' Standard Dock Door.
- Shown with clear standard receiving container to illustrate attachment.

# Komar Auger-Pak<sup>®</sup>

## EM-W Technology Overview



### ① Patented Solid Lube Bearing Support System

Allows for the use of the biggest and most powerful auger screws in the industry, resulting in maximum compaction force.

### ② Teeth

All of our wood machines include teeth to help with the initial breakdown of dense material.

### ③ Cast Alloy Steel Flights    ④ Tapered Solid Alloy Steel Shaft

Using the highest quality components to construct our auger screws extends service life. The mass and shape of the cast flights increases overall strength and durability, while providing more efficient material delivery to the receiving container. Our patented tapered shaft uniquely distributes force along the shaft, minimizing stress on the bearings and maximizing screw life.

### ⑤ Cycloidal Drive with 500% Shock Load

Don't judge a drive strictly by the motor's horsepower, especially when you plan to process heavy industrial materials. A high shock load rating is important in giving the compactor the ability to crush through large loads without any damage to the drive.

### ⑥ Worry-Free Chain and Bearing Lubrication System

The engineered, automatically lubricated chain, coupled with the self-lubricating bearing system with automatic grease purge cuts down on routine maintenance.

### ⑦ Ratchet Binders    ⑧ Container Adaptor

The auger compacts directly into a standard roll-off receiving container typically provided by your local hauler, and meets ANSI and OSHA specifications.