



Komar Auger-Pak®

Quality Made
in the USA



Since 1977

Heavy-Duty Industrial General Waste Compactor

EM-60G



EM-60G with Dock Enclosure

- Located outside your facility
- Shreds and compacts in one machine
- Significant volume reduction increases payload weights & lowers transportation costs
- No issues with “spring-back” or “drag-back”
- Handles large bulk waste, including furniture
- Connects to standard receiving container
- Clean quiet electric drive, no hydraulic leaks

Komar EM-60G Auger-Pak®

Komar's EM-60G Auger-Pak® is a heavy-duty industrial compactor, ideal for medium to high volume general waste applications. Maximizing density up to five times, and packing up to 6-10+ tons of material directly into a 40 cubic yard container, this unit easily keeps pace with competitive technologies while offering several operational advantages. The continuous forward processing motion prevents the spring-back and bridging issues common in ram style compactors. This is especially important for the efficient processing of bulk waste, such as used furniture. It has a clean electric drive system; and the small footprint frees up space for other business operations. Komar uses high quality, precision made parts to ensure significantly increased machine life with very low maintenance.



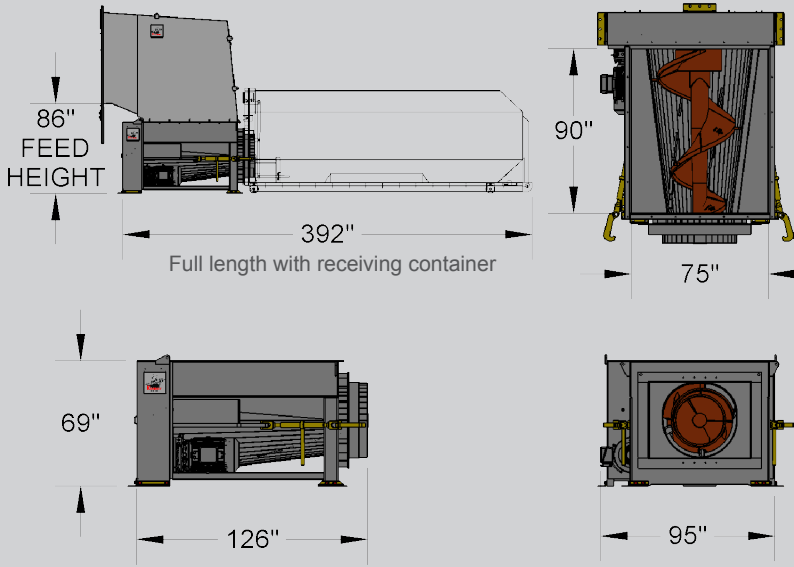
* Load weights vary depending on material and loading method

Groveport, OH

(614) 836-2366

www.komarindustries.com

info@komarindustries.com



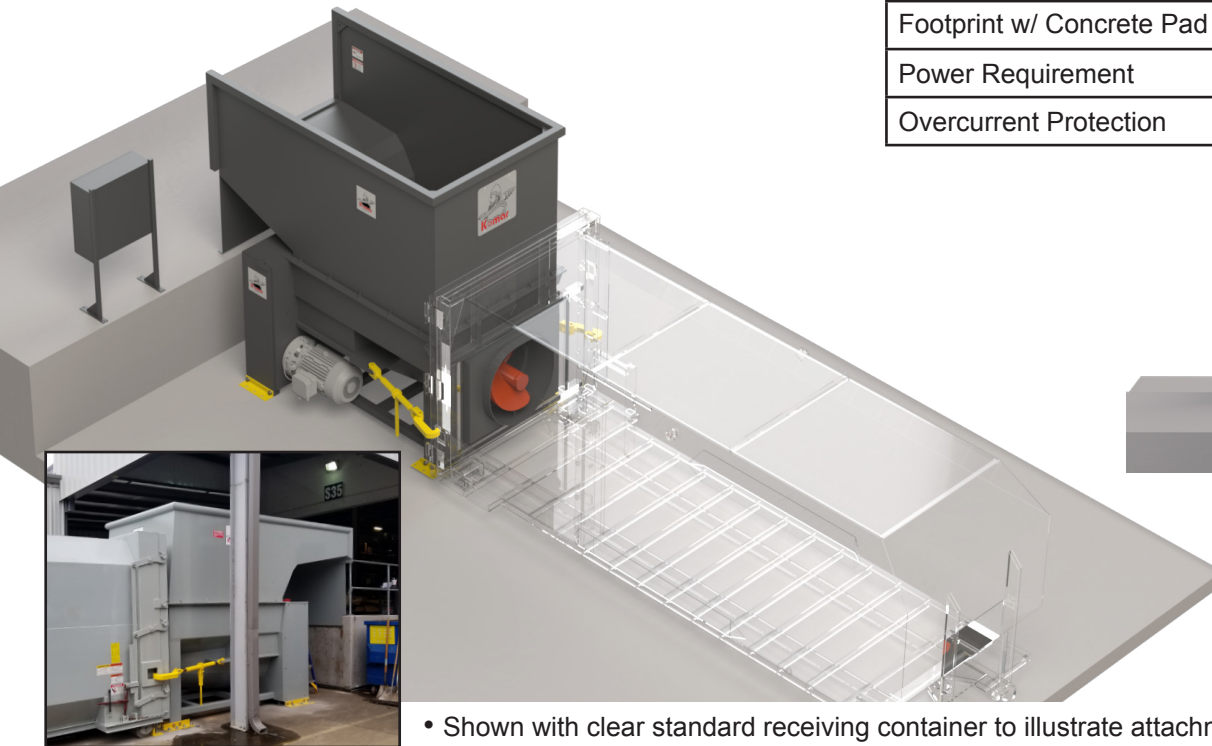
Dimensions and process data for reference only

Processing Specifications	
Horsepower	60
Tons per Hour	6.4 (depending on waste stream)
Feed Type	Hand, Forklift, Tipper, Conveyor, Chute
Receiving Container	Roll-Off up to 75 cu. yd.
Tons Per Container	Up to legal road limit

Physical Specifications	
Footprint (L x W x H)	126" x 95" x 69"
Chamber Size (L x W)	92" x 75"
Full System Weight (lbs)	24,258
RPM / Torque (ft.-lbs.)	10.17 / 30,972

INSTALLATION TYPES

Open at Dock



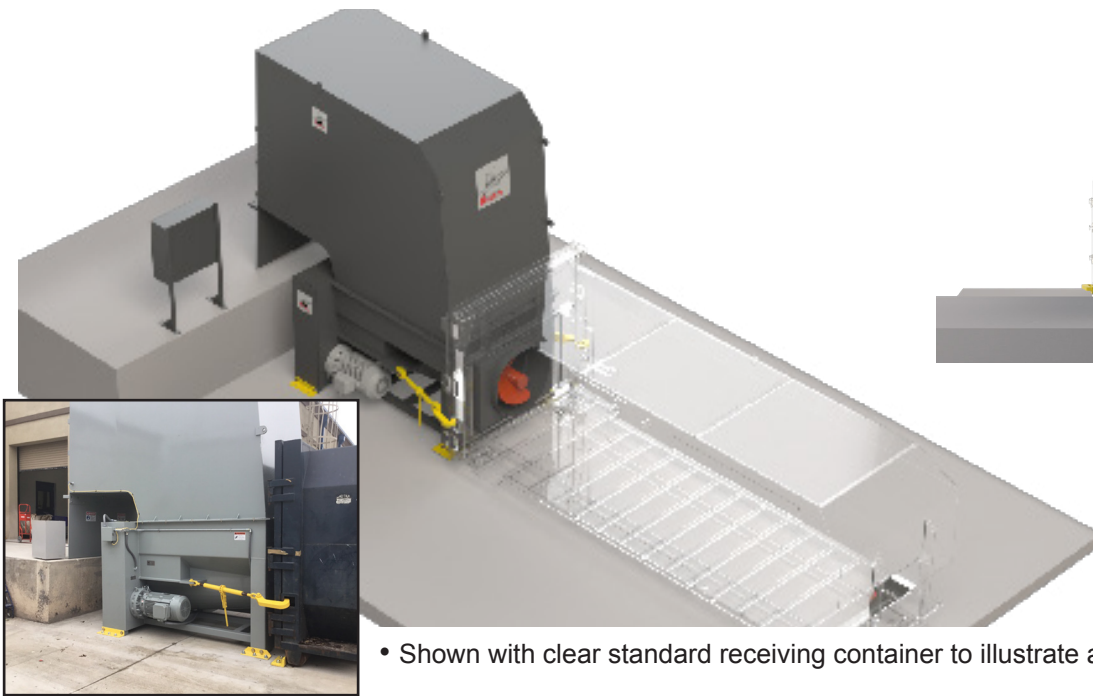
• Shown with clear standard receiving container to illustrate attachment.

Installation Specifications	
Full Length w/ Container	392"
Footprint w/ Concrete Pad	416" x 119"
Power Requirement	480 V, 3 PH, 60 Hz
Overcurrent Protection	125 amp MCP type breaker



Rear View

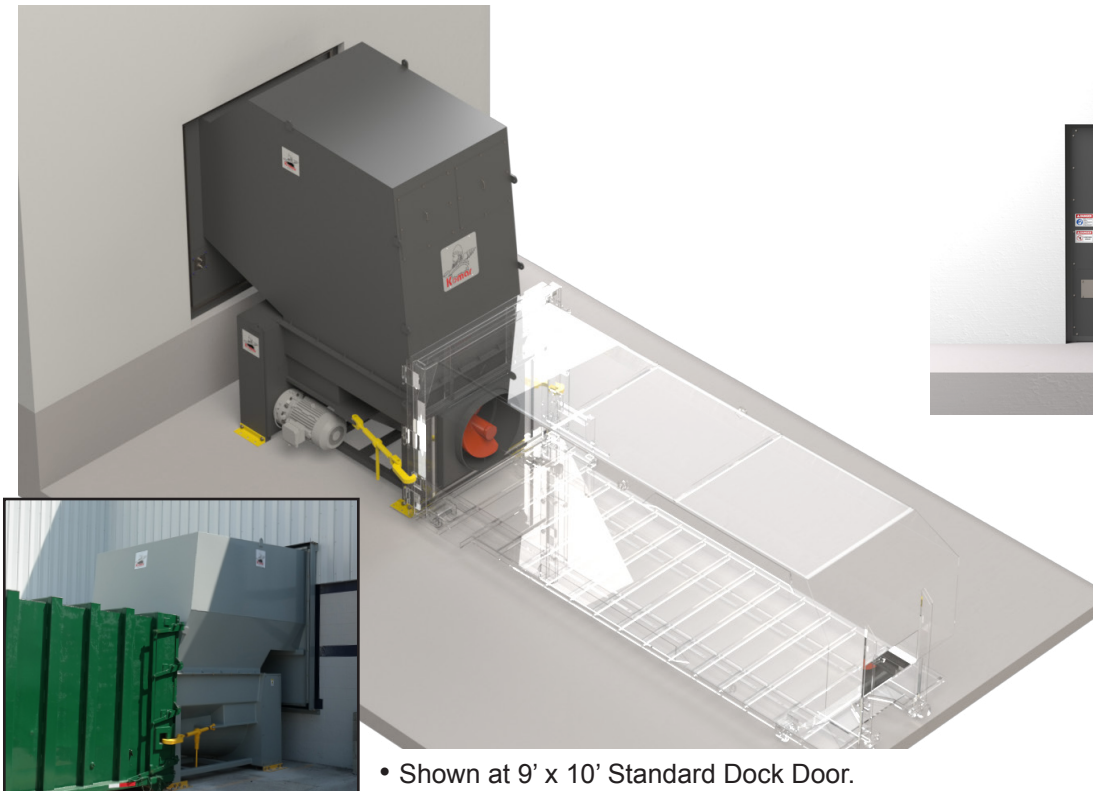
Platform with Doors



Rear View

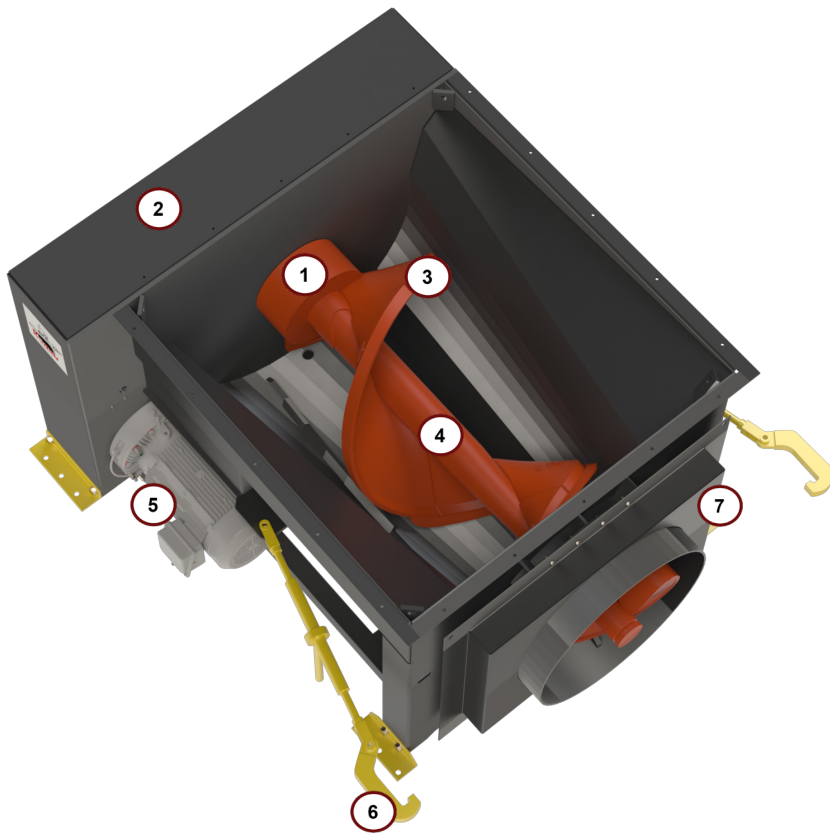
- Shown with clear standard receiving container to illustrate attachment.

Dock Enclosure



Inside View

- Shown at 9' x 10' Standard Dock Door.
- Shown with clear standard receiving container to illustrate attachment.



Komar Auger-Pak®

EM-G Technology Overview

① Patented Solid Lube Bearing Support System

Allows for the use of the biggest and most powerful auger screws in the industry, resulting in maximum compaction force.

② Worry-Free Chain and Bearing Lubrication System

The engineered, automatically lubricated chain, coupled with the self-lubricated bearing system cuts down on routine maintenance.

③ Cast Steel Flights ④ Tapered Solid Alloy Steel Shaft

Using the highest quality components to construct our auger screws provides extended service life. The density and shape of the cast flights increases strength and durability, as well as more efficient material delivery to the receiving container. Our patented tapered shaft uniquely distributes forces along the shaft, minimizing stress on the bearings and maximizes shaft life.

⑤ Cycloidal Drive with 500% Shock Load

Don't judge a drive strictly by the motor's horsepower, especially when you plan to process heavy industrial materials. A high shock load rating is important in giving the compactor the ability to crush through large loads.

⑥ Ratchet Binders ⑦ Container Adaptor

The auger compacts directly into a standard roll-off receiving container typically provided by your local hauler, and meets ANSI and OSHA specifications.