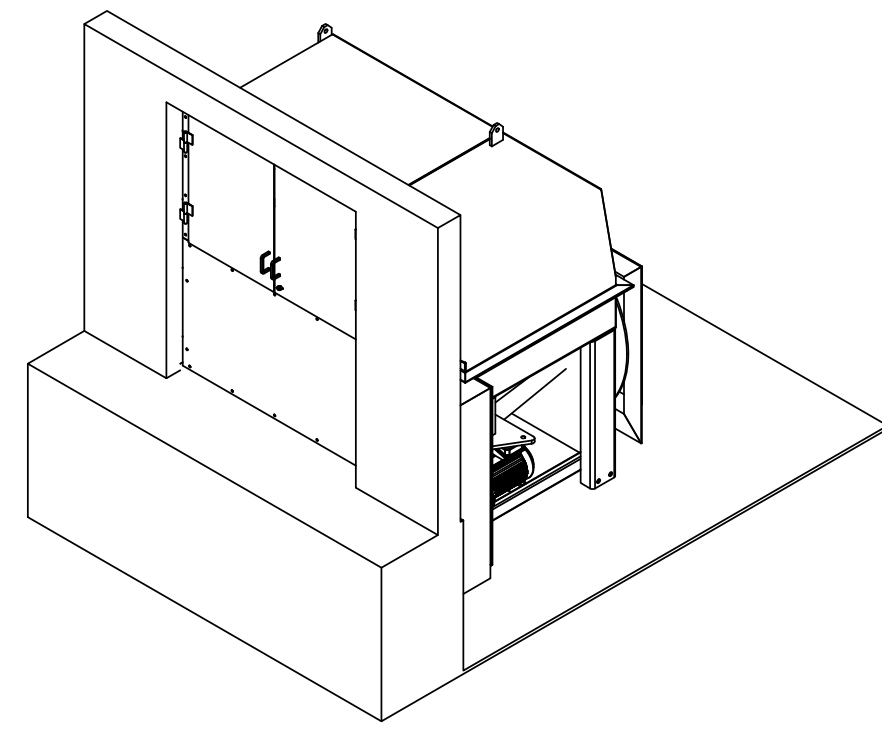
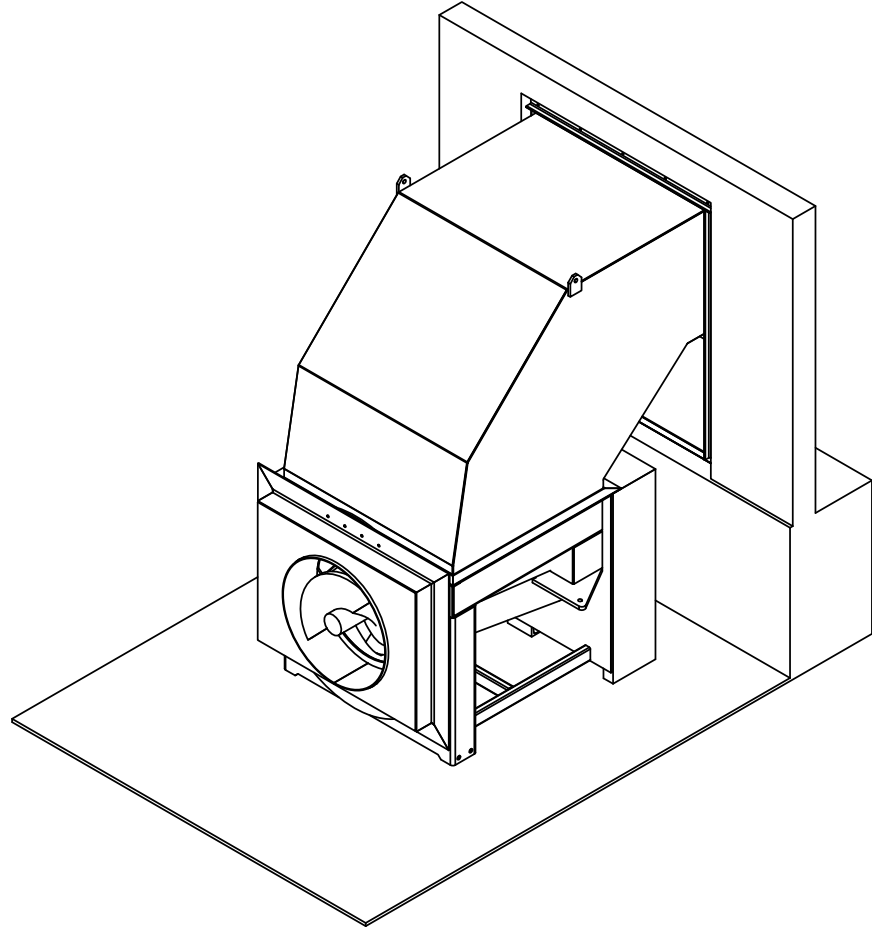
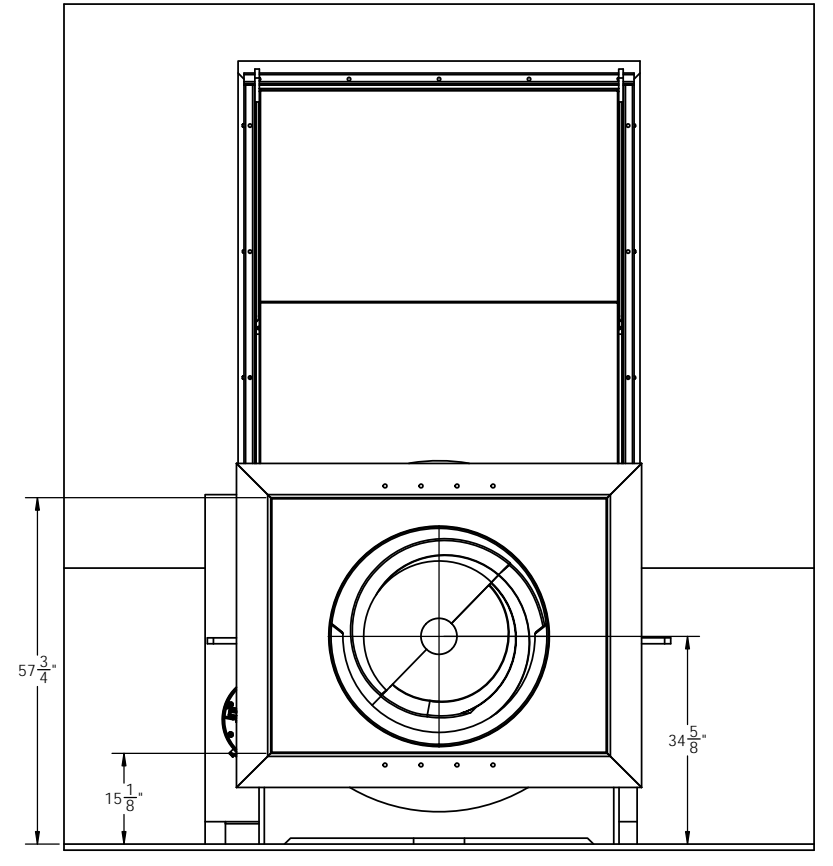
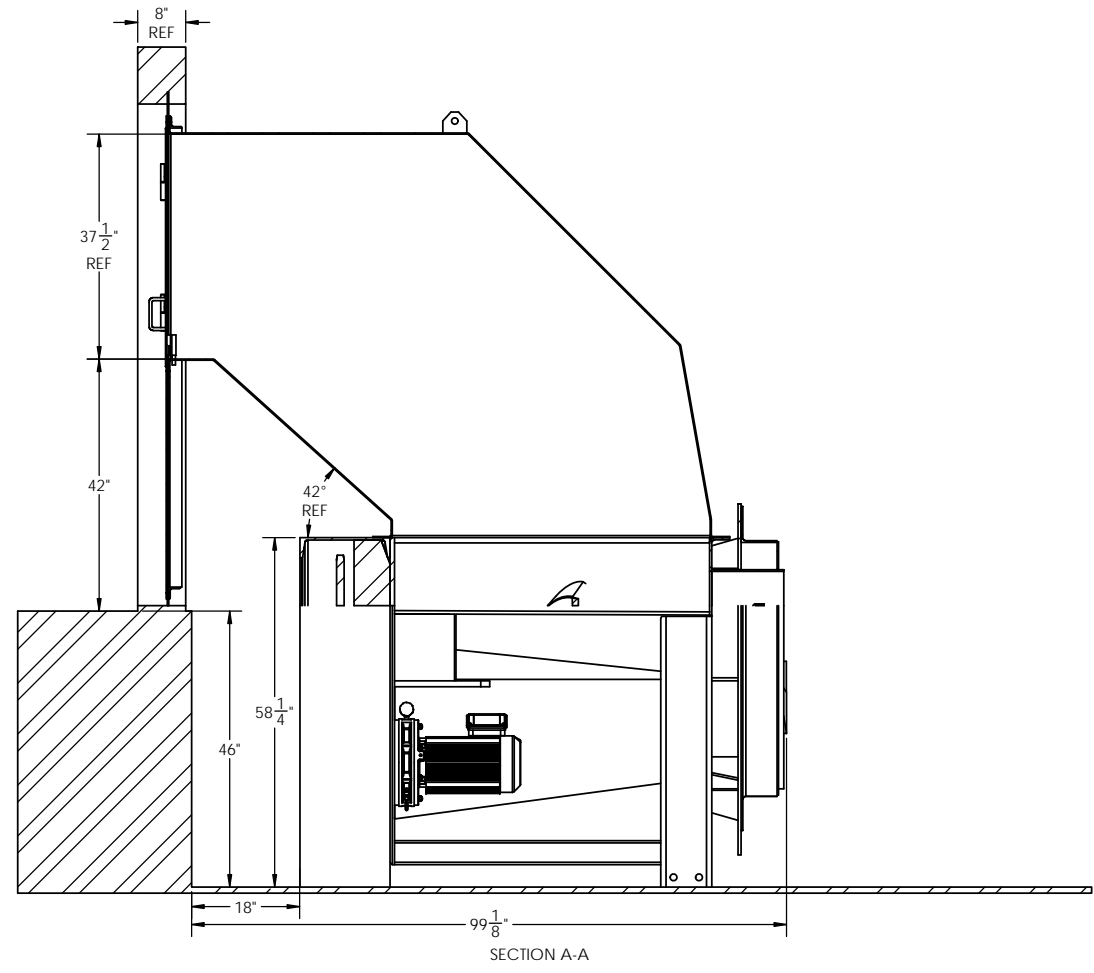
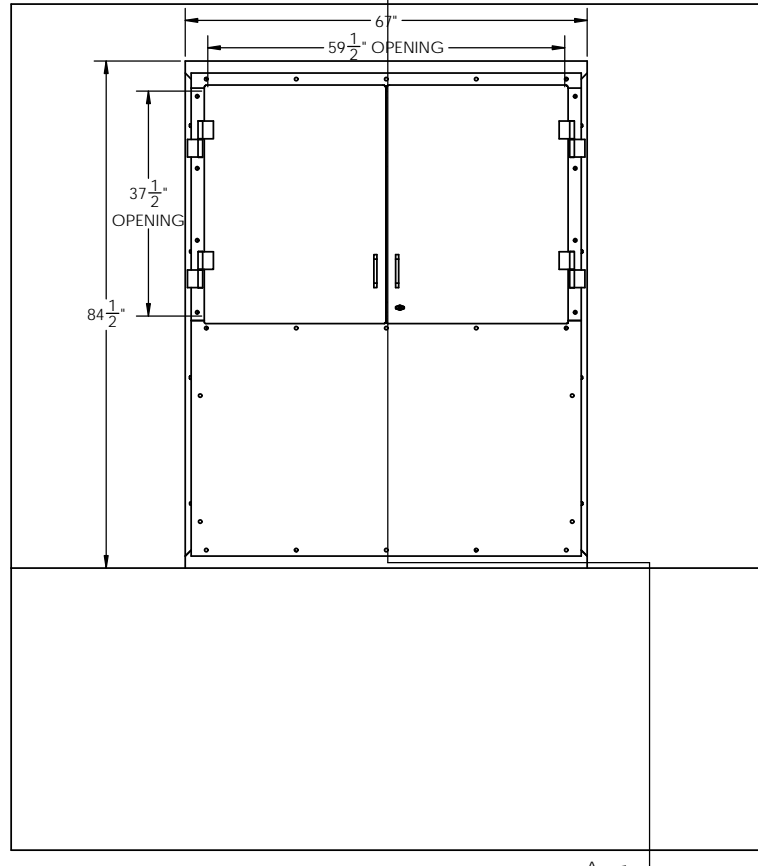


REVISIONS			
REV.	DESCRIPTION	DATE	APPROVED



PATENTS THE INFORMATION CONTAINED ON THIS DRAWING MAY BE COVERED BY ANY ONE OR ALL OF THE FOLLOWING PATENTS: UNITED STATES: 425815 491526 494626 491884 493249 503822 518840 521772 538855 CANADA: AUSTRALIA: DENMARK: 1129388 41808 424701 0962790 42550 42452 EUROPEAN PATENT OFFICE 039993 OTHER U.S. AND FOREIGN PATENTS ISSUED AND PENDING	<b>PROPRIETARY AND CONFIDENTIAL</b> THIS DRAWING CONTAINS CONFIDENTIAL INFORMATION AND IS THE EXCLUSIVE PROPERTY OF KOMAR INDUSTRIES, INC. NEITHER THE DOCUMENT NOR ITS CONTENTS ARE TO BE USED, REPRODUCED, OR DISCLOSED IN WHOLE OR IN PART, WITHOUT THE WRITTEN PERMISSION OF KOMAR INDUSTRIES, INC.  DO NOT SCALE DRAWING	UNLESS OTHERWISE SPECIFIED: DIMENSIONS ARE IN INCHES TOLERANCES FRACTIONAL: ± 1/16 ANGULAR: MACH ± ° HOLES: ± .003 / .002 TWO PLACE DECIMAL: ± .01 THREE PLACE DECIMAL: ± .005	NAME: RJB DATE: 7/24/2013 DRAWN: RJB CHECKED: [ ] ENG APPR: [ ] MFG APPR: [ ]	TITLE: <b>EM-15 LAYOUT</b> Configuration Part Num: Default SIZE: File / DWG. NO. <b>D</b> GA 3626-01 SCALE: 1:16 WEIGHT: 74876 BSHEET 1 OF 1		
		MATERIAL: Material <not specified> FINISH: FRESH	COMMENTS:	INTERPRET GEOMETRIC TOLERANCING PER:	Q.A.	REV:
		STOCK SIZE:	COMMENTS:	COMMENTS:	COMMENTS:	COMMENTS:
		SIZE: PROFILE	COMMENTS:	COMMENTS:	COMMENTS:	COMMENTS: