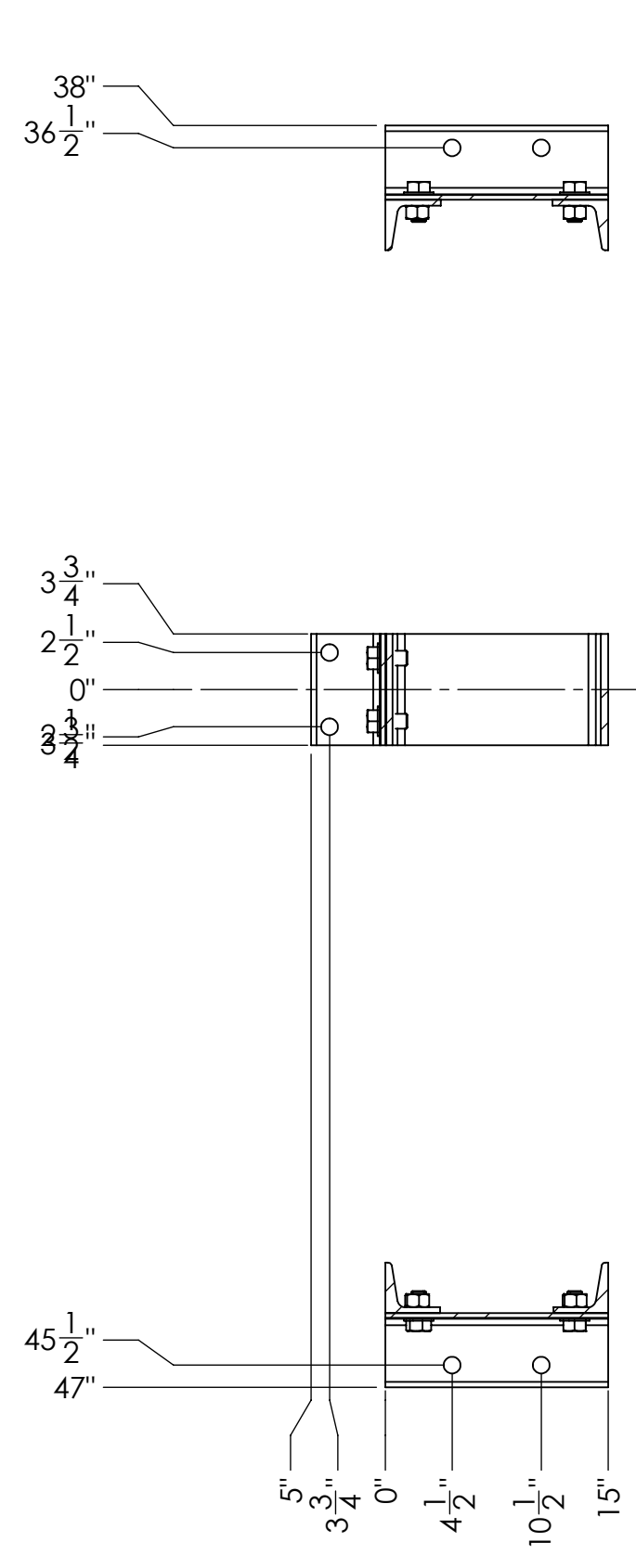
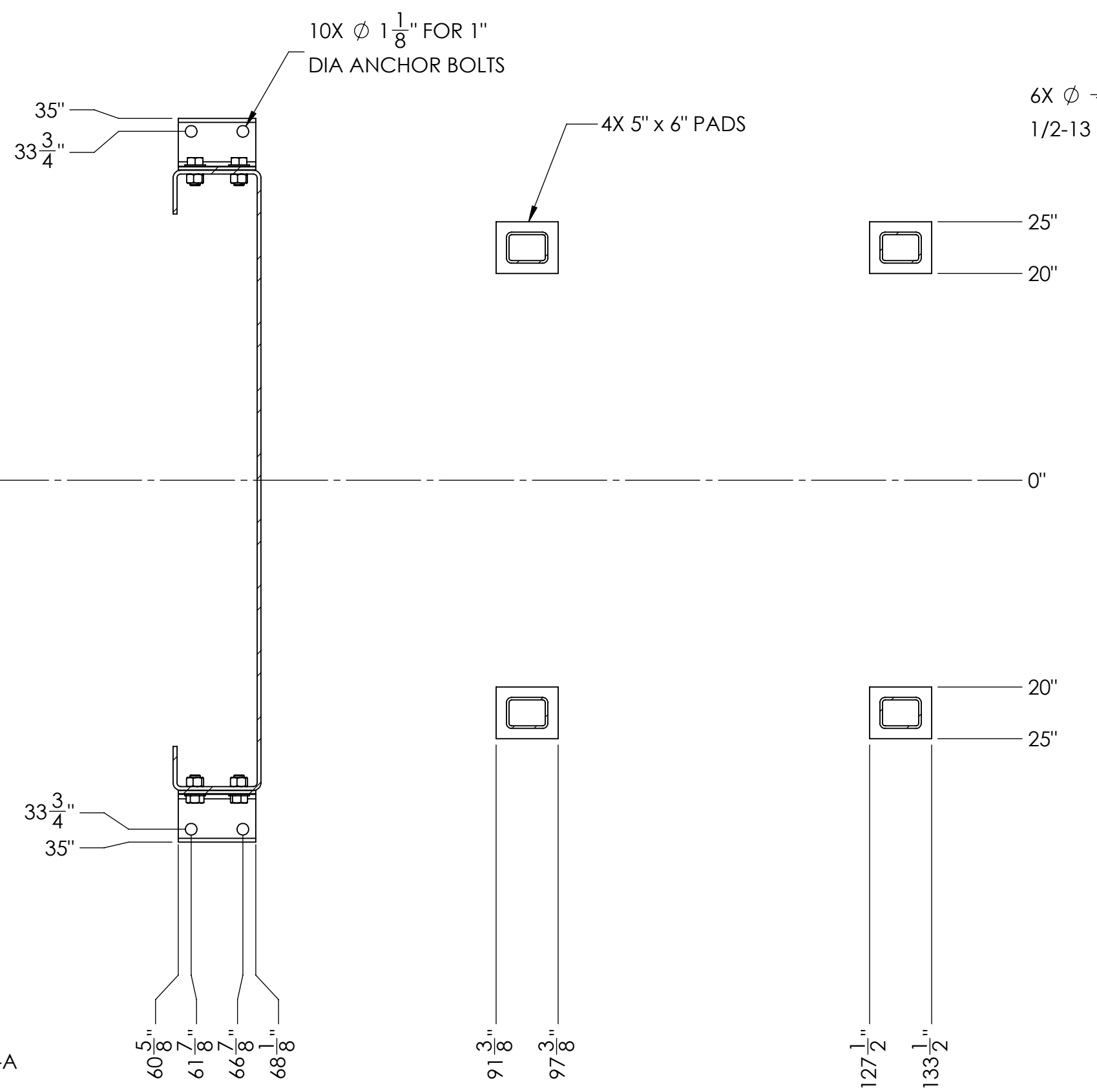


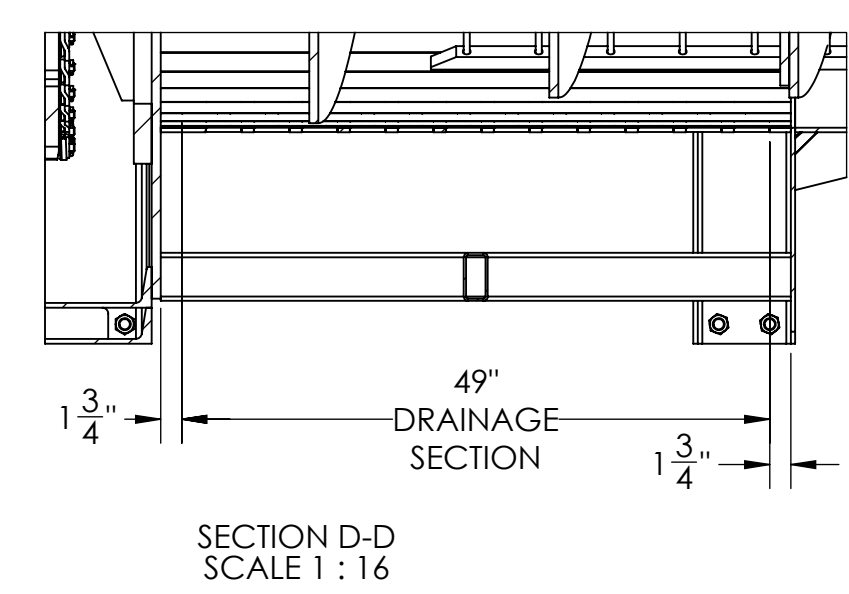
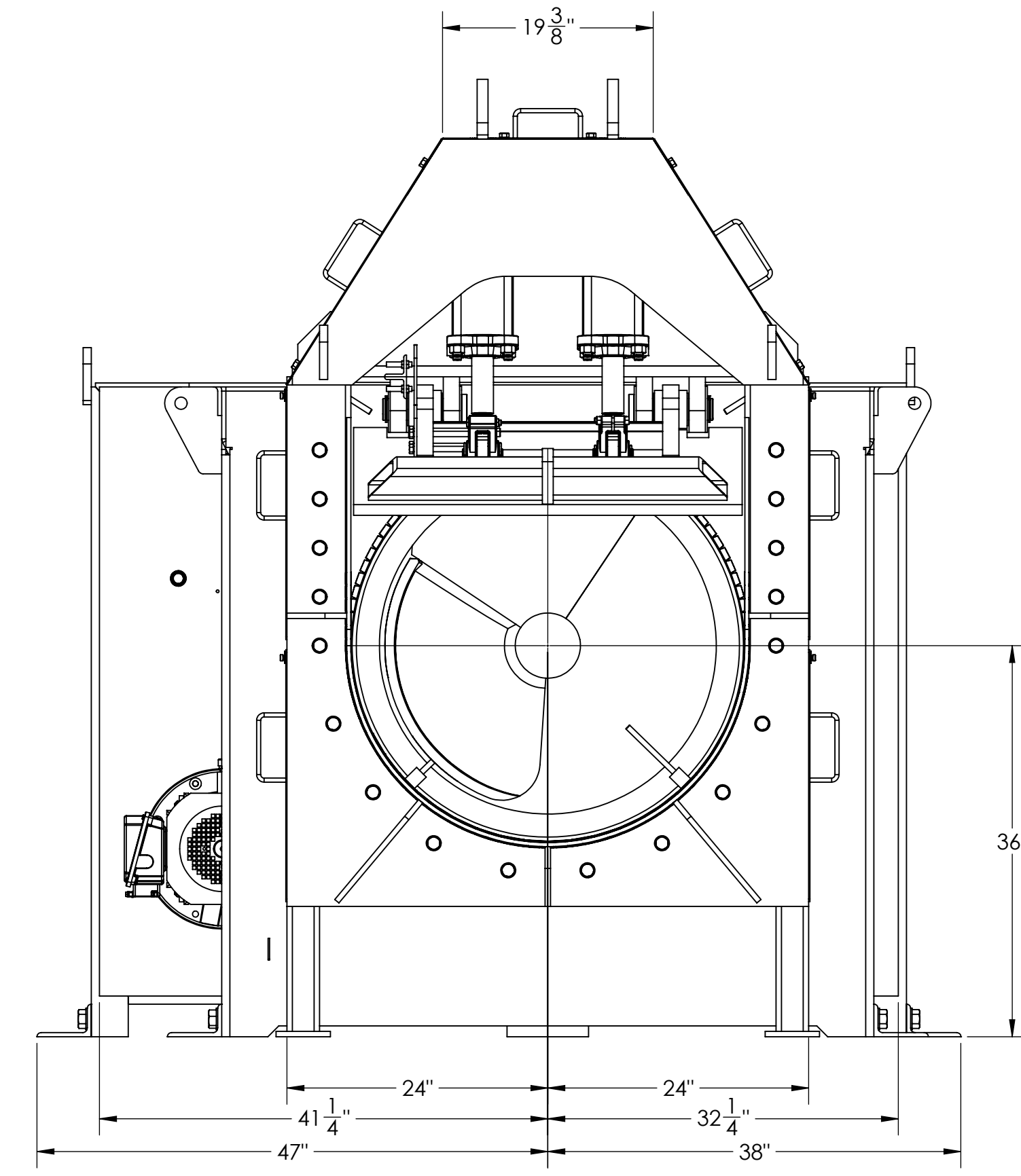
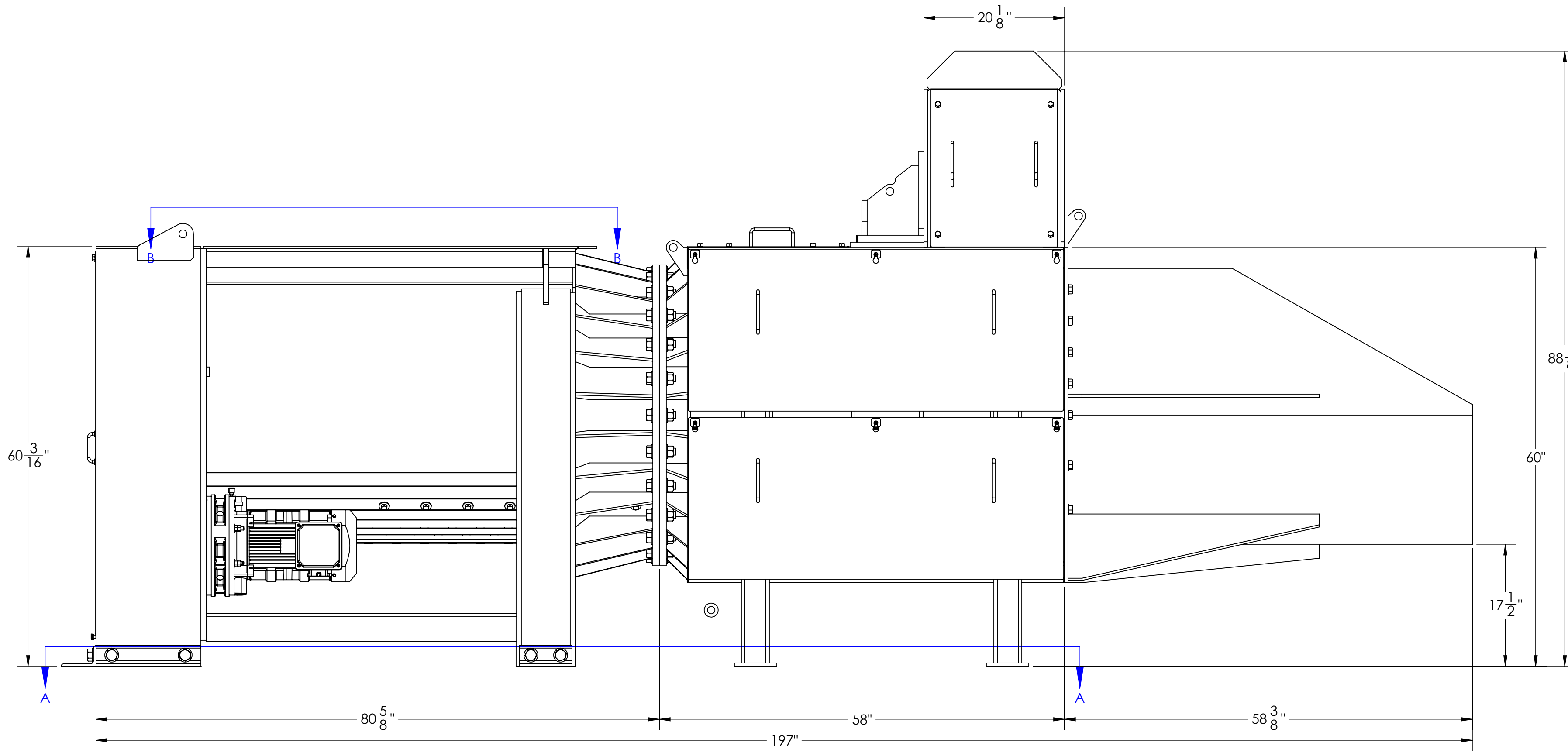
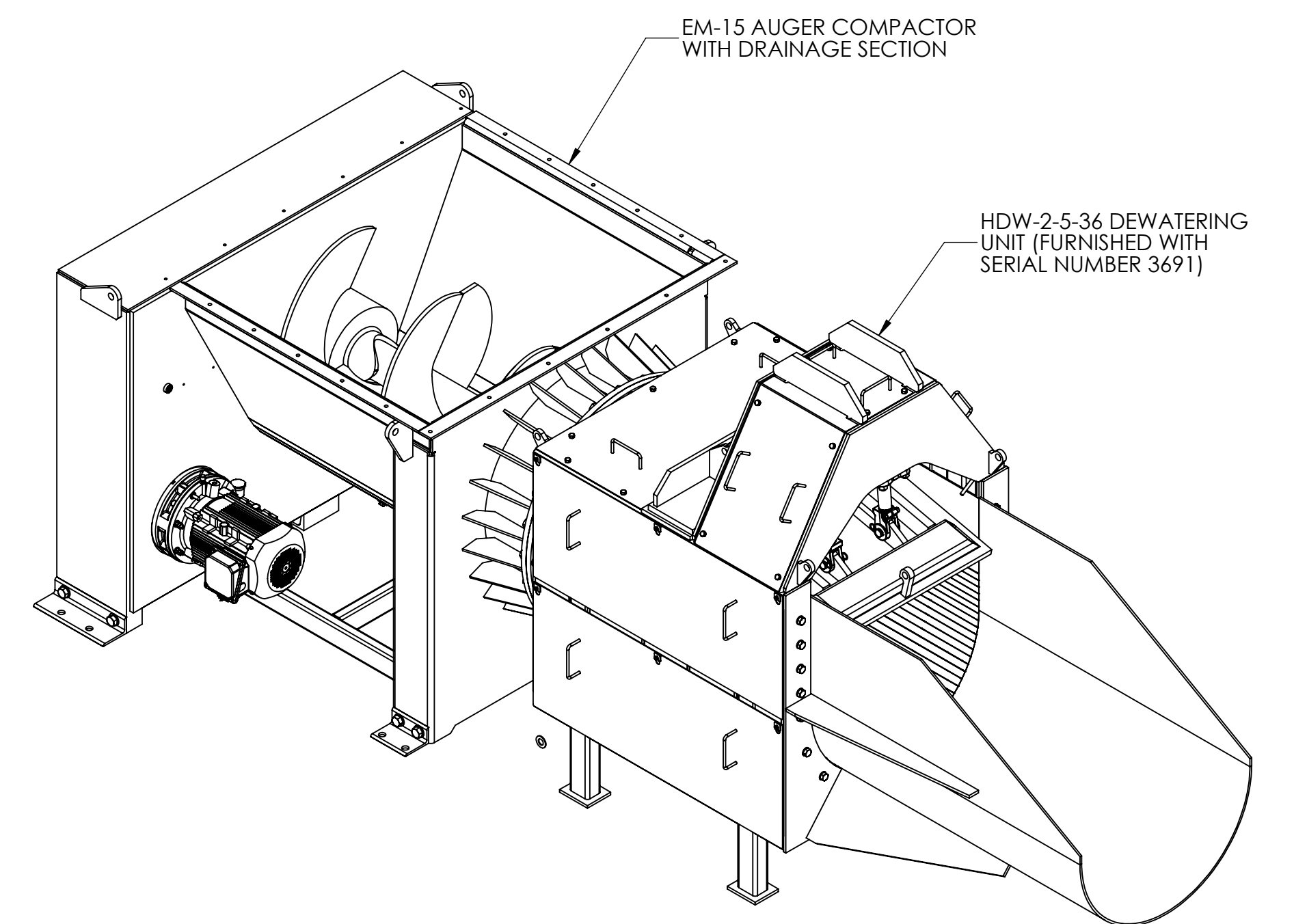
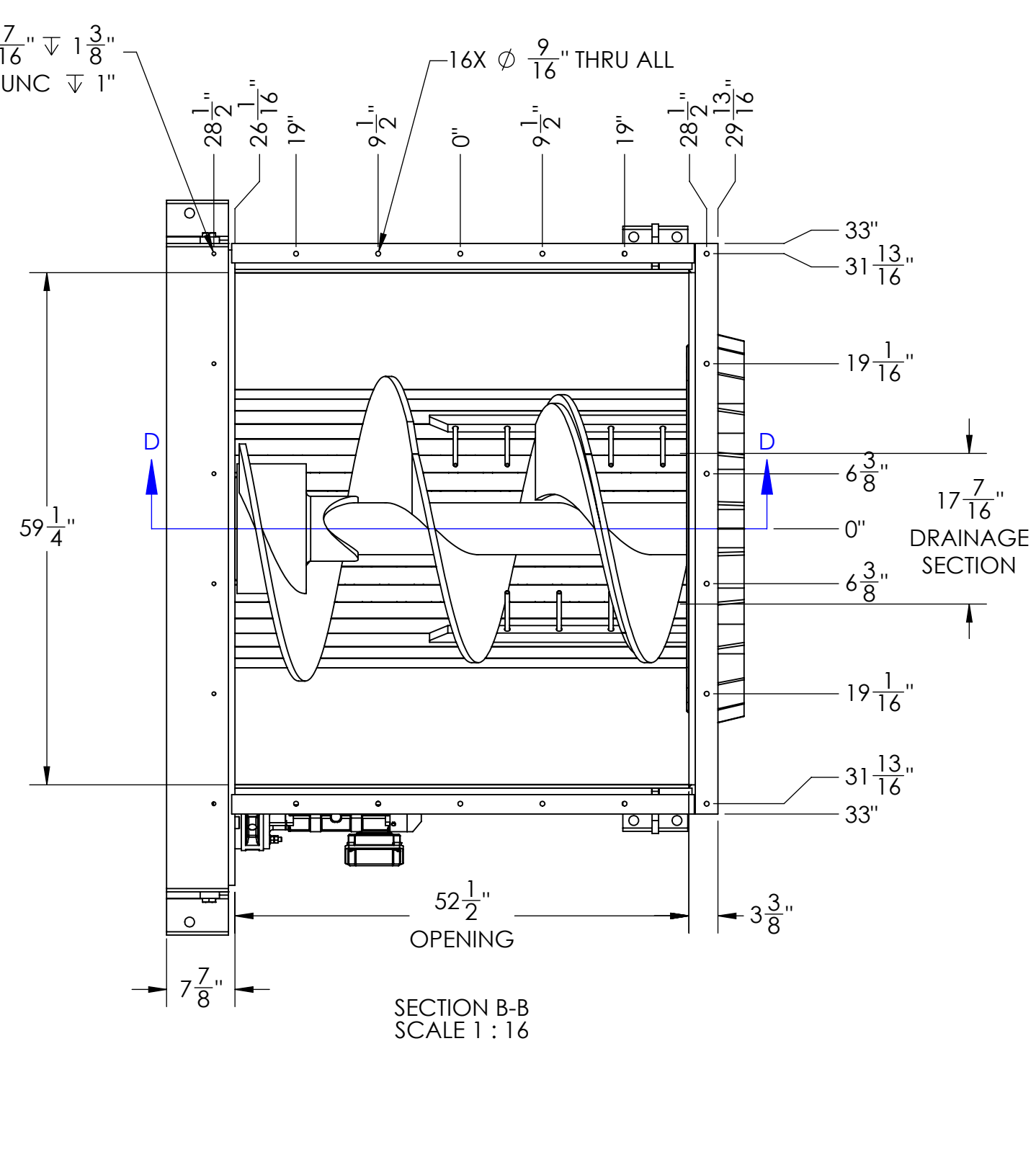
REVISIONS			
REV.	DESCRIPTION	DATE	APPROVED



SECTION A-A



SECTION B-B
SCALE 1 : 16



SECTION D-D
SCALE 1 : 16

NOTE: VOLTAGE REQUIREMENT FOR THIS LOCATION IS 575VAC/60 HZ

PATENTS
THE INFORMATION CONTAINED ON THIS DRAWING MAY BE COVERED BY ANY ONE OR ALL OF THE FOLLOWING PATENTS:
UNITED STATES:
425845 09/26/88 308884
493884 09/24/89 303842
518940 02/17/91 308880
CANADA: AUSTRALIA: DENMARK:
1129386 414002 024700 0946290
620500 024602
624000
EUROPEAN PATENT OFFICE
0307993
OTHER U.S. AND FOREIGN PATENTS ISSUED AND PENDING

PROPRIETARY AND CONFIDENTIAL
THIS DRAWING CONTAINS CONFIDENTIAL INFORMATION AND IS THE EXCLUSIVE PROPERTY OF KOMAR INDUSTRIES, INC. NEITHER THE DOCUMENT NOR ITS CONTENTS ARE TO BE USED, REPRODUCED, OR DISCLOSED IN WHOLE OR IN PART, WITHOUT THE WRITTEN PERMISSION OF KOMAR INDUSTRIES, INC.
DO NOT SCALE DRAWING

UNLESS OTHERWISE SPECIFIED:
DIMENSIONS ARE IN INCHES
TOLERANCES
FRACTIONAL: ± 1/16
DECIMAL: ± 0.005
Holes: ± 0.003 / -0.002
TWO PLACE DECIMAL: ± 0.01
THREE PLACE DECIMAL: ± 0.005
INTERPRET GEOMETRIC TOLERANCING PER:
MATERIAL
FINISH
STOCK SIZE

DRAWN	NAME	DATE
CHECKED	MRL	11/24/2020
ENG APPR.		
MFG APPR.		
G.A.		
COMMENTS:		

Komar Industries, Inc.
4425 MARKETING PLACE, GROVEPORT, OH 43125 U.S.A. (614) 699-3366

TITLE: NEXGEN AUTONEUM EM-15 / HDW-2-D-36 DEWATERING UNIT ASSEMBLY
Configuration Part Num: Default
SIZE File / DWG. NO.
D GA4222-001
SCALE: 1:12 | WEIGHT: 11315 | SHEET 1 OF 1

REV	NO.
1	1