



Komar Auger-Pak®

Quality Made
in the USA



Since 1977

Heavy-Duty Industrial Wood Pre-Crushing Compactor

EMD-80W



EMD-80W with open side feed hopper

- Quickly rids yard and facility of wood waste
- Substantially increases outbound weights
- Up to 6X volume reduction *
- Shreds and compacts in one machine
- Eliminates dangerous manual labor
- No more double/triple material handling
- Safely handles tramp metal (nails & bolts)
- Connects to standard receiving container

* Volume reduction depends on material and feeding method.

Komar EMD-80W Auger-Pak®

The Komar EMD-80W Auger-Pak® is a heavy-duty, all-electric industrial pre-crushing compactor. It is ideal for applications where oversized materials such as large equipment skids, large crates, oversize pallets, and cable spools are present in the waste stream. These materials are hard to handle, take up valuable floor space, and generate expensive waste transportation costs. The Auger-Pak® provides a quick means to reduce wood volume up to 6 times, by crushing and compacting directly into a standard 40 or 50 cubic yard receiving container. The powerful all-electric cycloidal drive, in combination with our large heavy-duty auger screw, achieves high density loads up to 9 tons* for recycling or disposal.



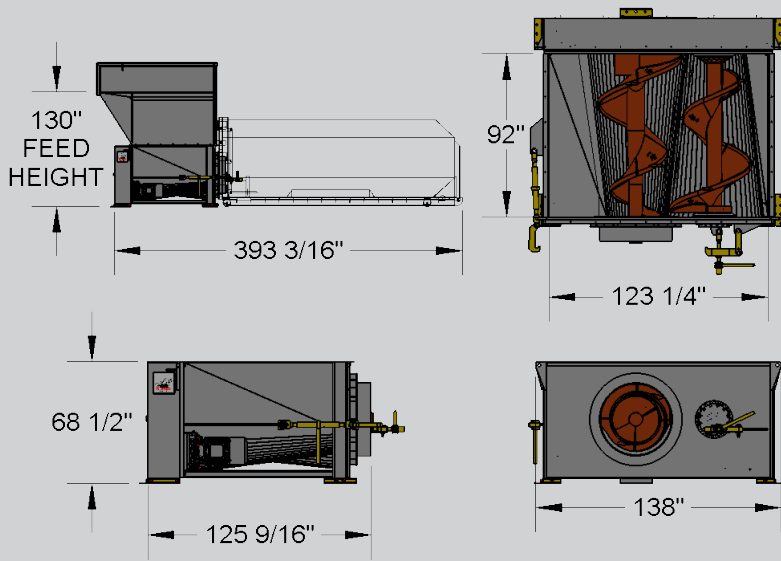
* Load weights vary depending on material and loading method

Groveport, OH

(614) 836-2366

www.komarindustries.com

info@komarindustries.com



Machine Specifications	
Horsepower	80
Footprint (L x W x H)	125 ⁹ / ₁₆ " x 138" x 68 ¹ / ₂ "
Process Chamber (L x W)	92" x 123 ¹ / ₄ "
Full System Weight (lbs.)	36,453
RPM / Torque (ft.-lbs.)	10.17 / 30971.8

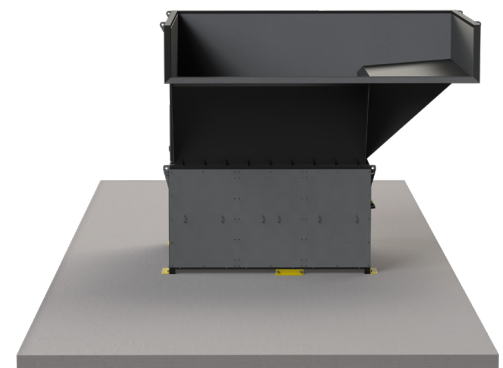
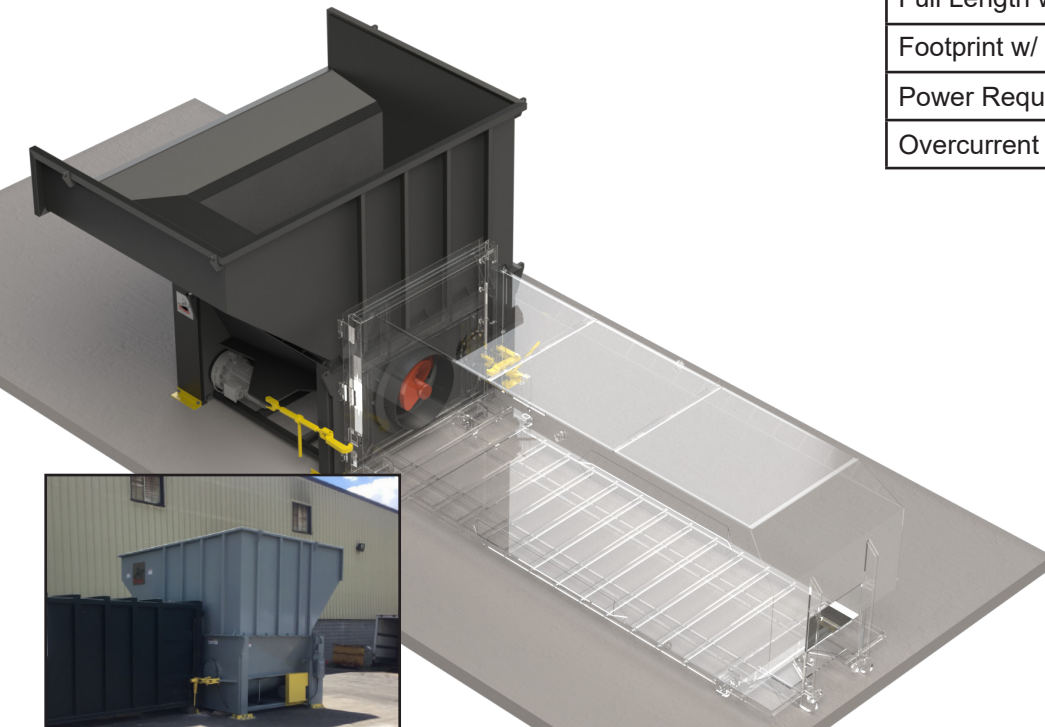
Physical Specifications	
Tons per Hour	5 - 10
Pallet Size (L x W)	84" x 144"
Crate Size (L x W x H)	84" x 84" x 144"
Spool Size (Diameter)	96"

Dimensions and process data for reference only

INSTALLATION TYPES

Yard with Rear Feed Hopper

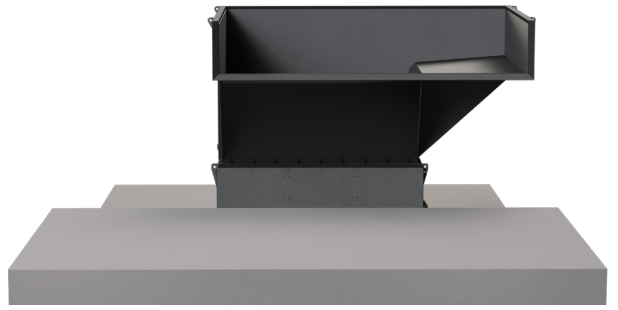
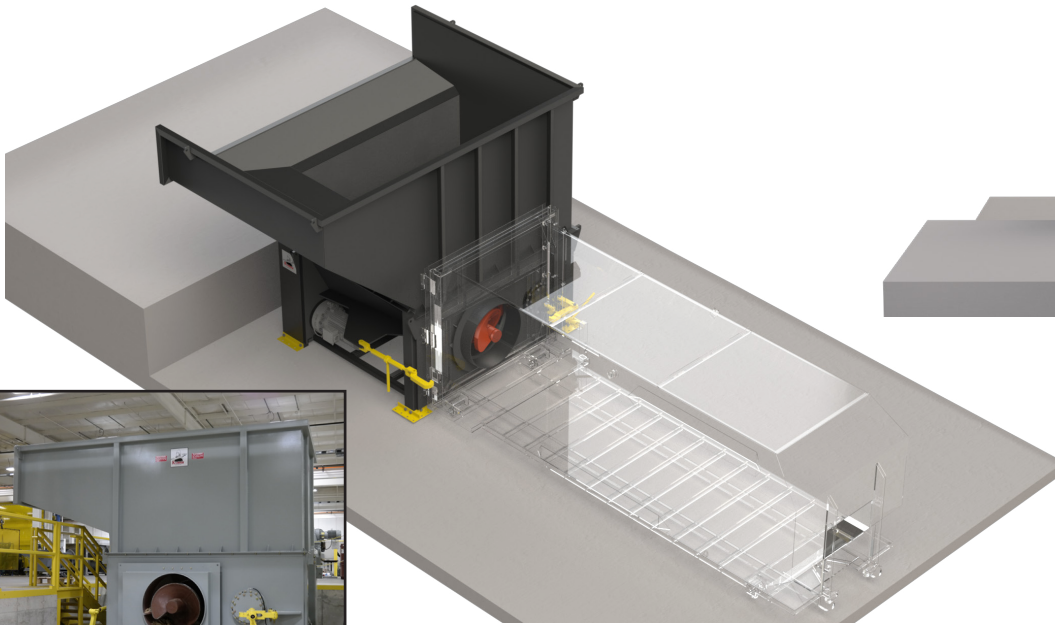
Installation Specifications	
Full Length w/ Container	393 ³ / ₁₆ "
Footprint w/ Concrete Pad	417 ³ / ₁₆ " x 162"
Power Requirement	3 phase, 460/480 V, 60 Hz
Overcurrent Protection	125 amp MCP type breaker



Rear View

- Shown with clear standard receiving container to illustrate attachment.

Open at Platform

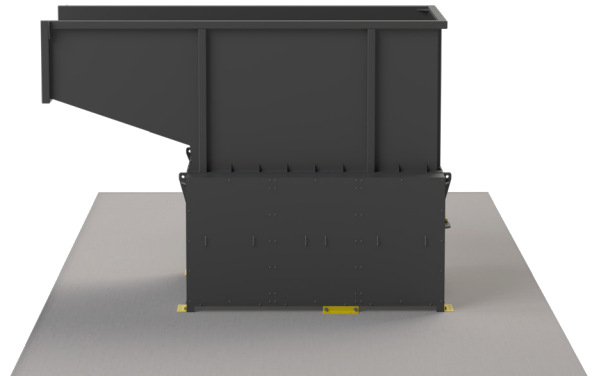
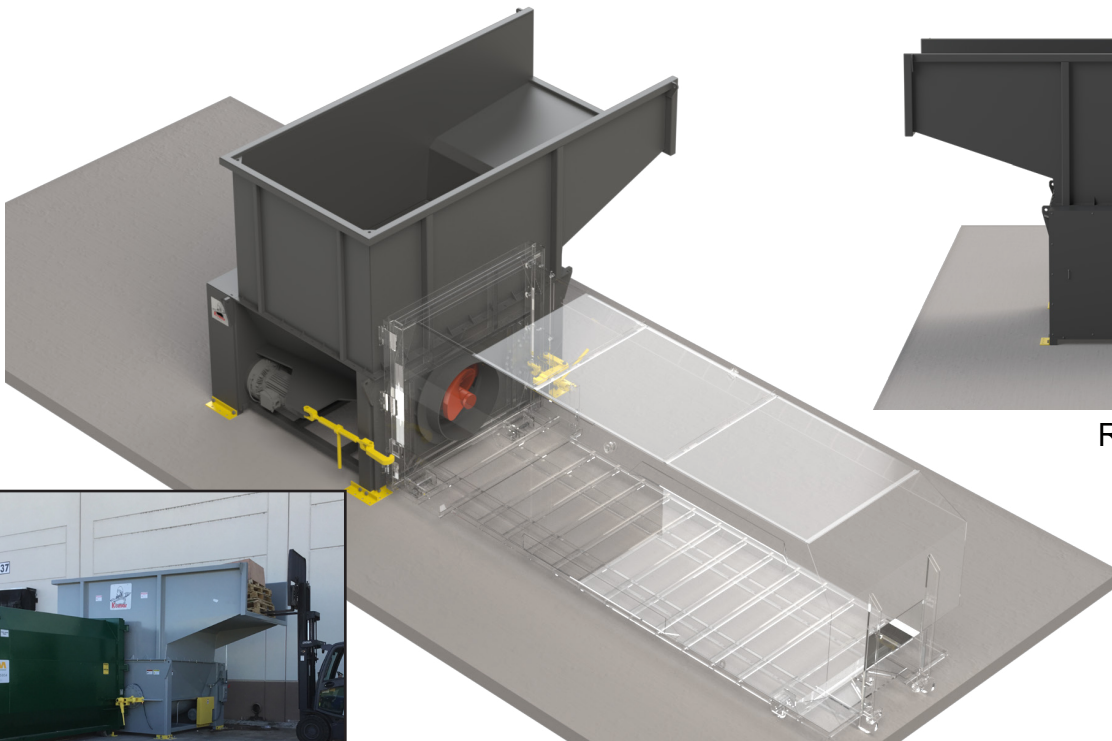


Inside View



- Shown at Standard Dock.
- Shown with clear standard receiving container to illustrate attachment.

Yard with Side Feed Hopper



Rear View

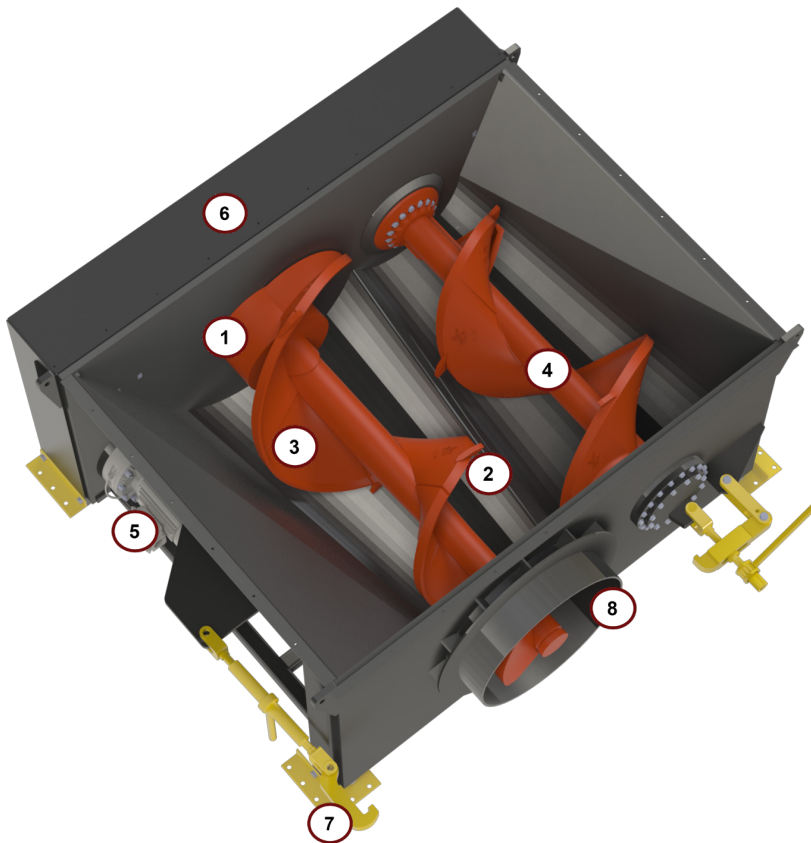


- Side feed hoppers are available in both left or right feed
- Shown with clear standard receiving container to illustrate attachment.



Komar Auger-Pak[®]

EM-W Technology Overview



① Patented Solid Lube Bearing Support System

Allows for the use of the biggest and most powerful auger screws in the industry, resulting in maximum compaction force.

② Teeth

All of our wood machines include teeth to help with the initial breakdown of dense material.

③ Cast Alloy Steel Flights ④ Tapered Solid Alloy Steel Shaft

Using the highest quality components to construct our auger screws extends service life. The mass and shape of the cast flights increases overall strength and durability, while providing more efficient material delivery to the receiving container. Our patented tapered shaft uniquely distributes force along the shaft, minimizing stress on the bearings and maximizing screw life.

⑤ Cycloidal Drive with 500% Shock Load

Don't judge a drive strictly by the motor's horsepower, especially when you plan to process heavy industrial materials. A high shock load rating is important in giving the compactor the ability to crush through large loads.

⑥ Worry-Free Chain and Bearing Lubrication System

The engineered, automatically lubricated chain, coupled with the self-lubricating bearing system cuts down on routine maintenance.

⑦ Ratchet Binders ⑧ Container Adaptor

The auger compacts directly into a standard roll-off receiving container typically provided by your local hauler, and meets ANSI and OSHA specifications.