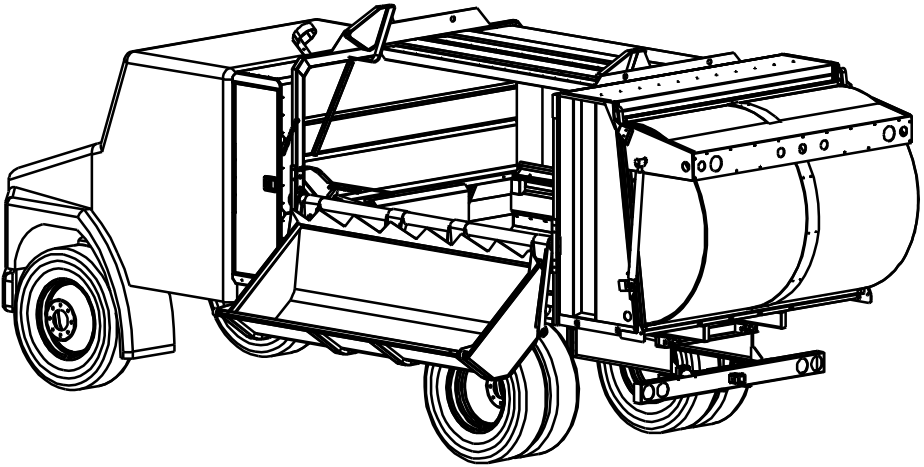
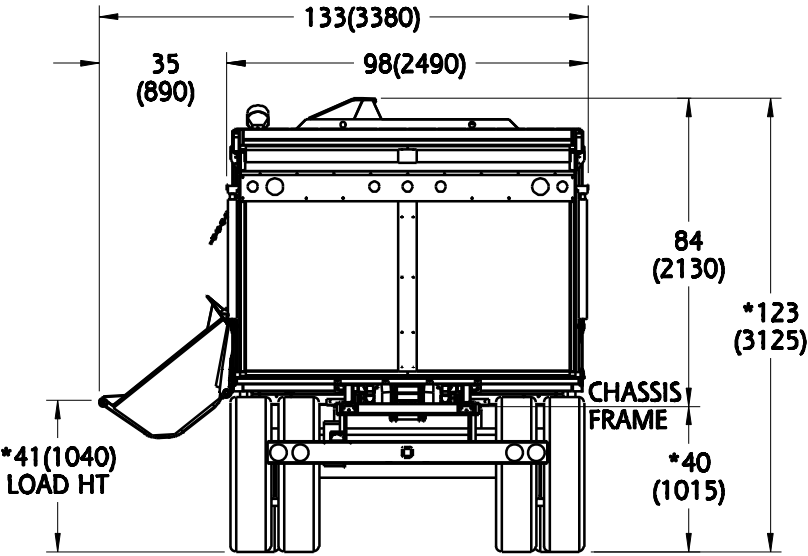
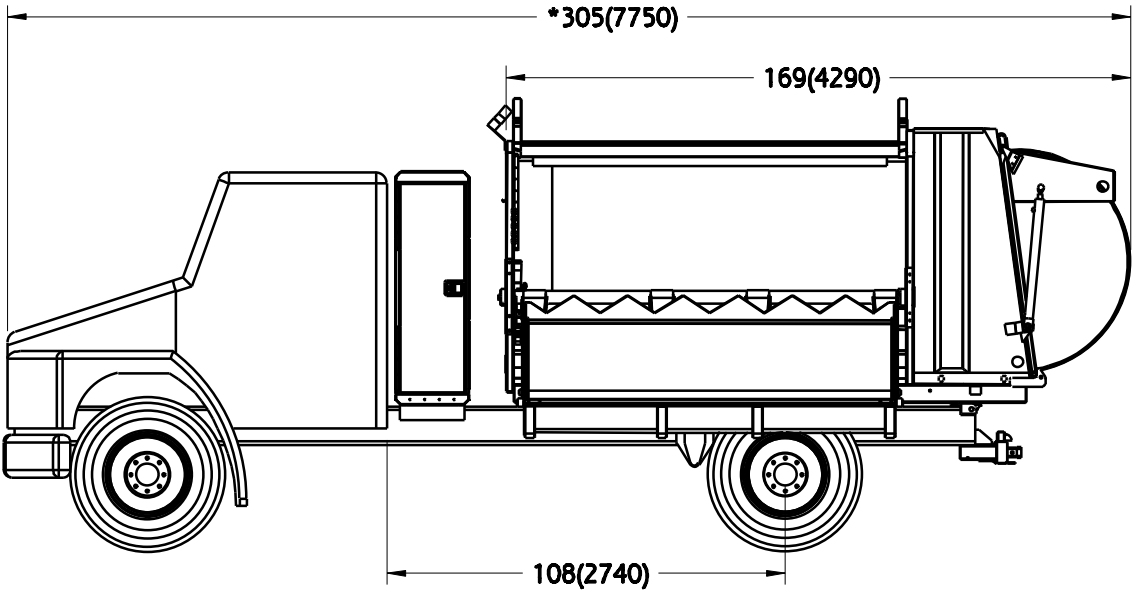


ALL SPECIFICATIONS SUBJECT TO CHANGE WITHOUT NOTICE

FEATURE	DESCRIPTION	SPECIFICATION
Capacity	Minimum Body Volume	18 cu yd (13-3/4 cu m)
	Net Body Weight	5600lbs (2540kg)
	Minimum Bucket Volume	1 cu yd (3/4 cu m)
	Minimum Bucket Capacity Weight	1000lbs (450kg)
Construction	Side Panel	14 Ga. (1.9mm) Formed Steel
	Floor	10 Ga. (3.4mm) Formed Steel
	Frame	10 Ga. (3.4mm) HSS Tubing
	Rockershaft	Re-inforced Heavy Duty Pipe
Hydraulic System	Hoist Capacity	Double Acting Cyl 45° Dump Angle
	PTO/Pump Output @ 1200 RPM	5tons (4-1/2tonnes)
	Hyd Valve	5 spool Directional Control
	Rated Operating Pressure	10gpm (38 l/min)
	Capacity	3000psi (200bars)
		15 us gpm (56 l/min)
Load & Pack Cycle	Varies with chassis	15 sec @ 1200 RPM



* SPECIFICATIONS & DIMENSIONS ARE BASED ON A TYPICAL CHASSIS AND MAY VARY



NOTE: ALL DIMENSIONS INCHES (MILLIMETERS)

CHASSIS REQUIREMENTS	SPECIFICATION
*Gross Vehicle Weight	19500lbs (8850kg)
Minimum CA Distance	90in (2290mm)
*Rear Axle Rating	13500lbs (6125kg)
*Front Axle Rating	6000lbs (2720kg)

HAUL-ALL EQUIPMENT LTD. reserves proprietary rights on this drawing or any part of the information contained thereon. This drawing shall be considered confidential material and is not to be used for competitive bidding nor for use in any procurements other than from Haul-All Equipment Ltd.



NAME M-CLASS 1800 LH BUCKET BODY		
PART NUMBER	SP-M1800	DRAWN BY PS
DATE	FEBRUARY 11, 2010	REVISION 1