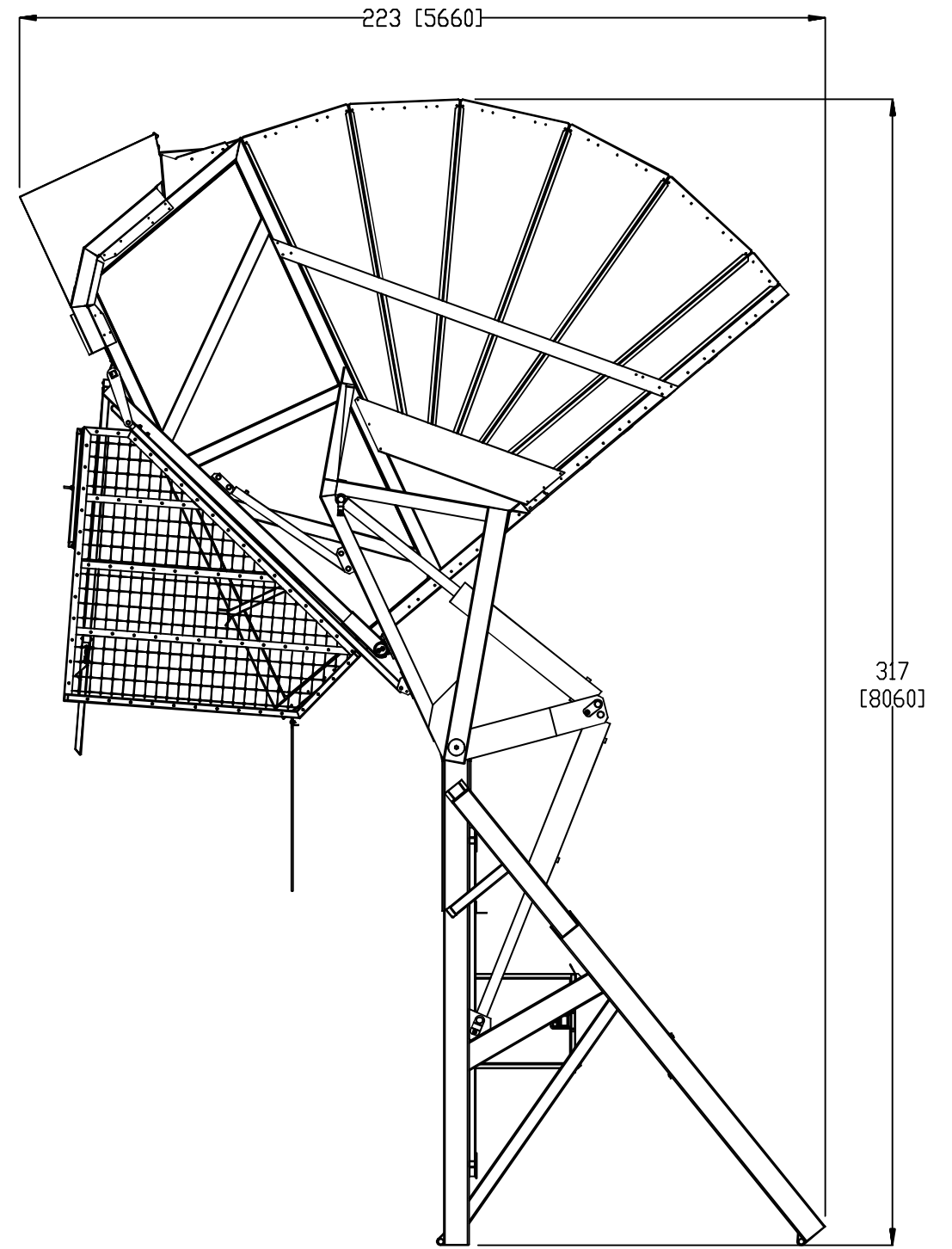
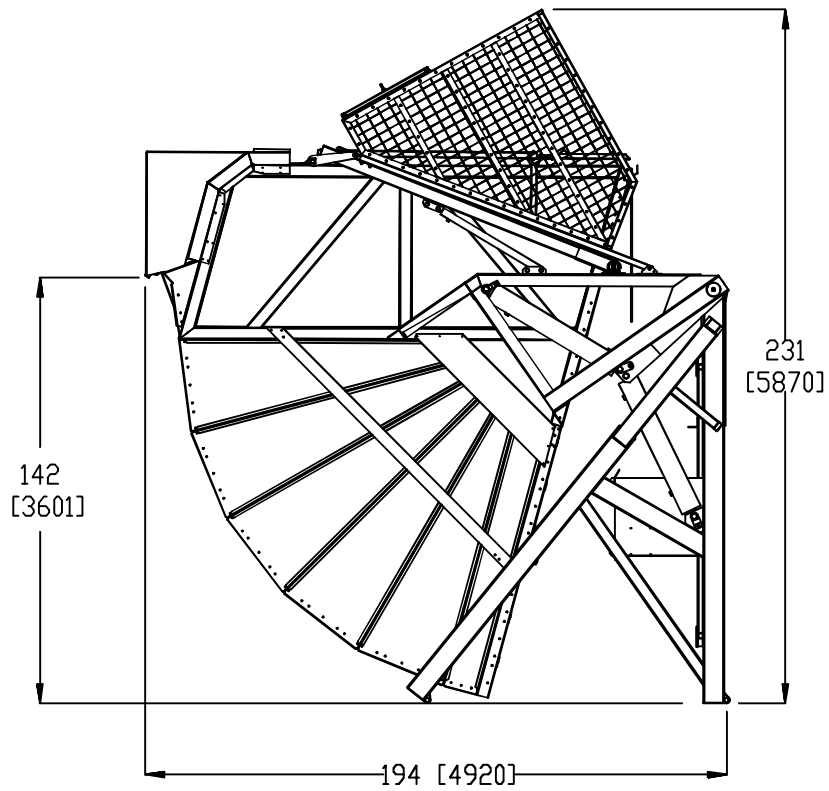
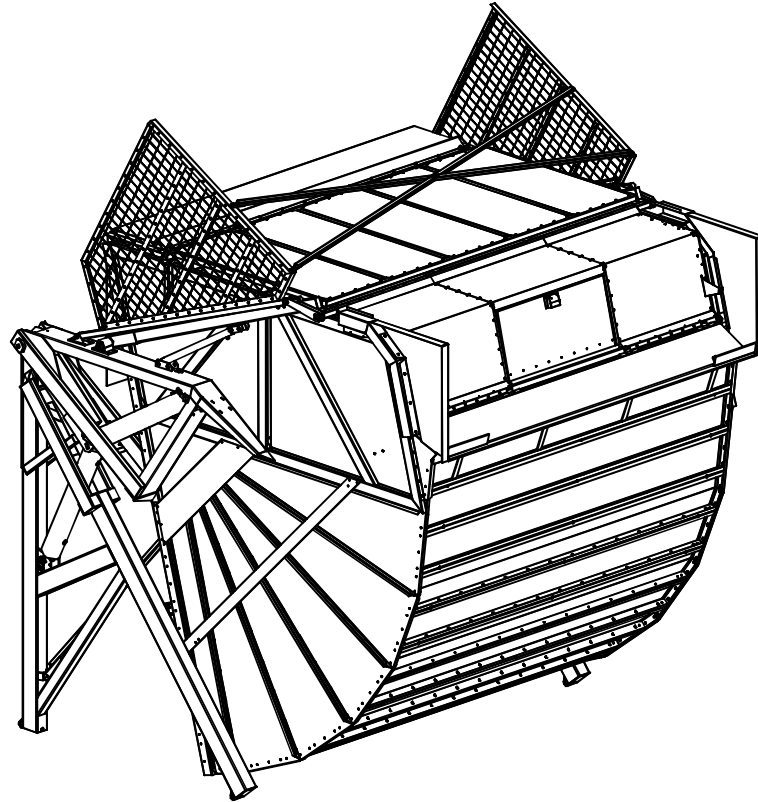
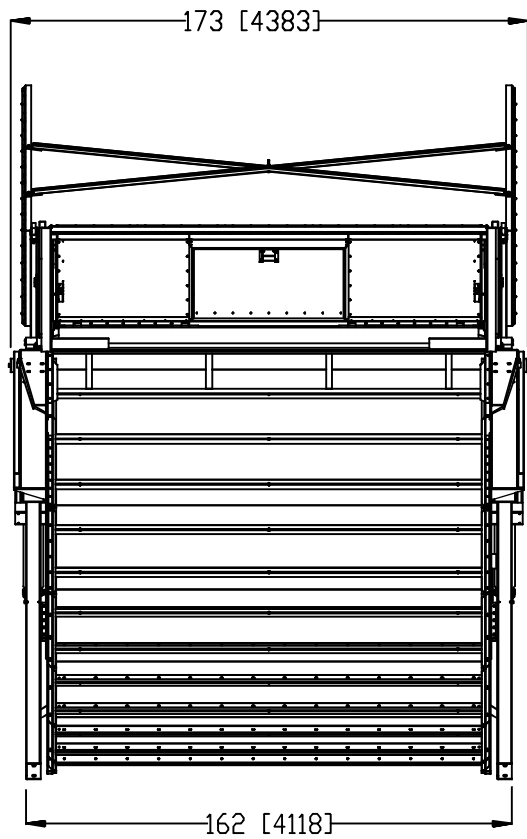
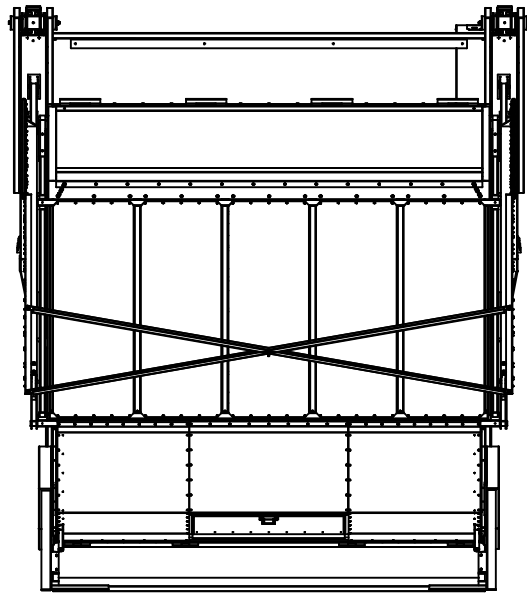


ALL SPECIFICATIONS SUBJECT TO CHANGE WITHOUT NOTICE



<p>HAUL-ALL EQUIPMENT LTD. reserves proprietary rights on this drawing or any part of the information contained thereon. This drawing shall be considered confidential material and is not to be used for competitive bidding nor for use in any procurements other than from Haul-All Equipment Ltd.</p>			NAME				
			TRANSTOR - 50 CU YD			DRAWN BY	
			PART NUMBER	DATE	NOV 04, 2014		PS
DRAWING NUMBER			SCALE	REVISION			
TS500D			1/64	1			

NOTE: ALL DIMENSIONS INCHES(MILLIMETERS)